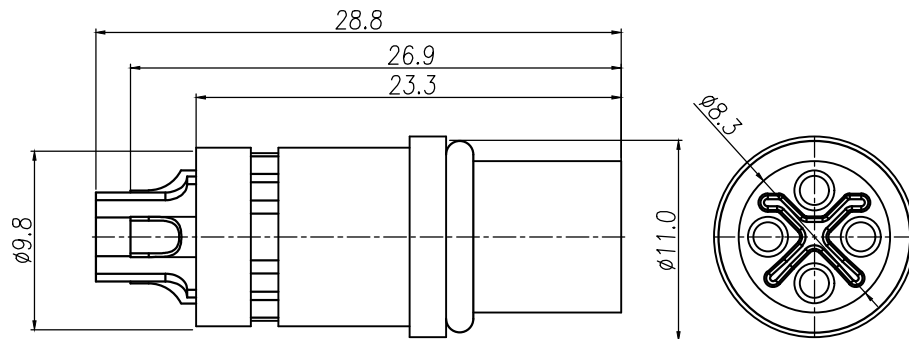


REV	DATE	DESCRIPTION	ECN NO.	NAME
A	20.04.20	PROPOSAL		LWEI

RoHS Compliant

M12 S-CODING (F)



1. MATERIAL :

- 1-1. HOUSING : PA66 UL94V-0 ; COLOR : BLACK
- 1-2. CONTACT : BRASS
- 1-3. O-RING : EPDM
- 1-4. NUT : BRASS

2. FINISH :

- 2-1. CONTACT : 10u" MIN. GOLD PLATED
UNDER PLATE : NICKEL
- 2-2. NUT : NICKEL PLATED

3. ELECTRICAL SPECIFICATION :

- 3-1. Rated current : 12A
- 3-2. Rated Voltage : 630V
- 3-3. Water proof: IP67/68

4. Environmental :

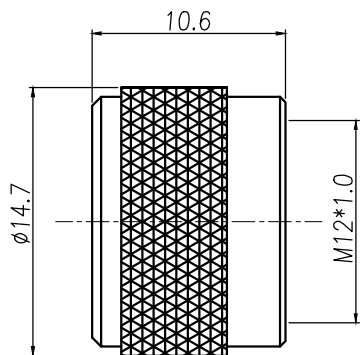
- 4-1. Operation Temperature : -40 ~105

5. ORDER INFORMATION: AC3402-180200 XX-00

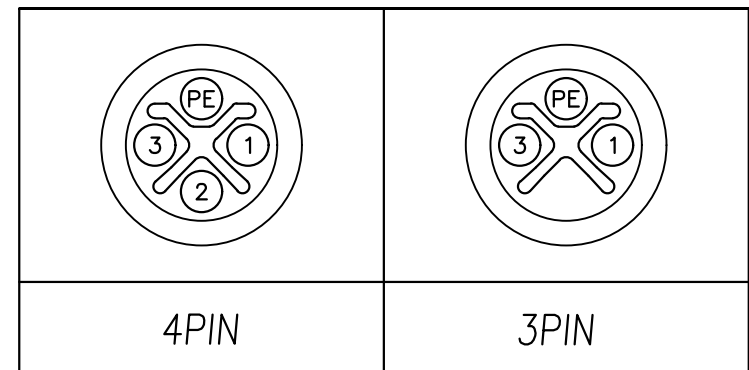
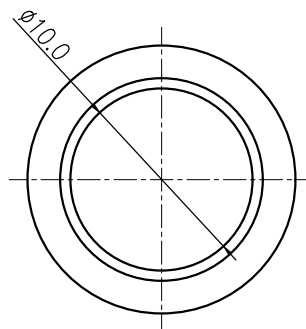
PIN OPTION

- ① 01: 4PIN
- 02: 3PIN

①



NUT



CUST NO.:

GENERAL TOLERANCE		WIESON TECHNOLOGIES CO., LTD WIESON	PART NO.:	
X.X	=±0.20		AC3402-180200XX-00	
X.XX	=±0.15	DRAWN BY	LWEI	STANDARD NO.
X.X*	=±3'	CHECKED BY	YXJ	DRAWING SIZE
		APPROVED BY	JIM	UNIT
		SORTING NO.	NY (WSC)	PAGE
				1 OF 1