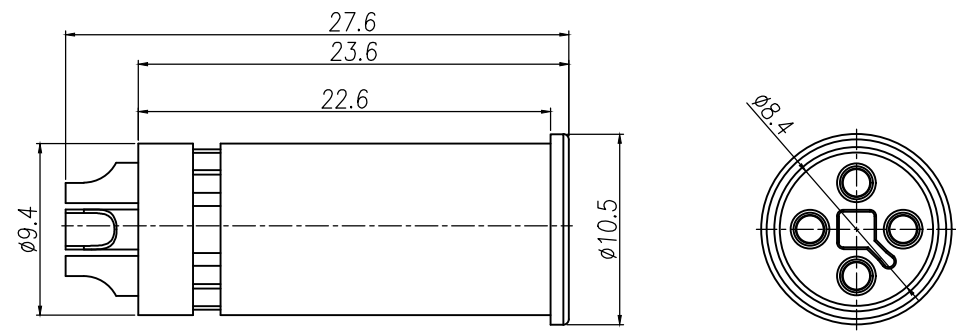


RoHS Compliant M12 T-CODING (M)

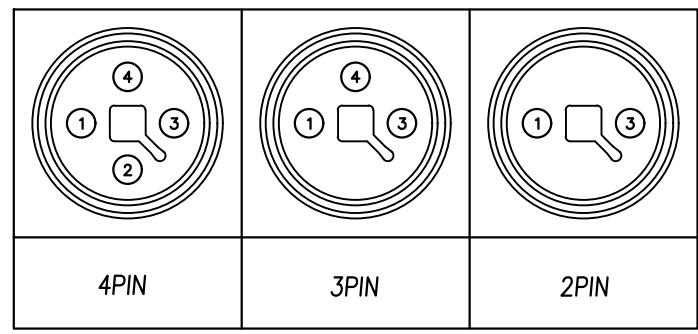
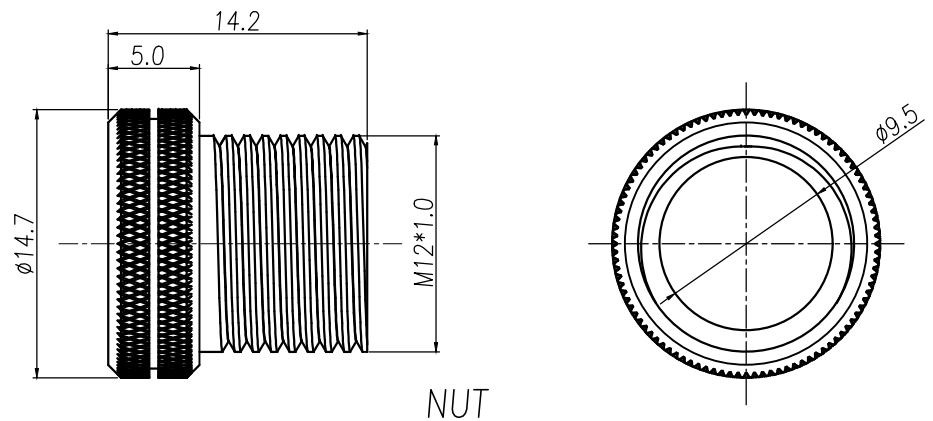
REV	DATE	DESCRIPTION	ECN NO.	NAME
A	20.04.20	PROPOSAL		LWEI

A
B
C
D
E



- MATERIAL :
 - 1-1. HOUSING : PA66 UL94V-0 ; COLOR : BLACK
 - 1-2. CONTACT : BRASS
 - 1-3. NUT : BRASS
- FINISH :
 - 2-1. CONTACT : 10u" MIN. GOLD PLATED
UNDER PLATE : NICKEL
 - 2-2. NUT : NICKEL PLATED
- ELECTRICAL SPECIFICATION :
 - 3-1. Rated current : 12A
 - 3-2. Rated Voltage : 63V
 - 3-3. Water proof: IP67/68
- Environmental :
 - 4-1. Operation Temperature : -40 ~105
- ORDER INFORMATION: AC3401-060100 XX -00

- PIN OPTION ①
- ① — 01: 4PIN
 - 02: 3PIN
 - 03: 2PIN



GENERAL TOLERANCE		WIESON TECHNOLOGIES CO., LTD		CUST NO.:	
X.X	=±0.20	DRAWN BY	LWEI	PART NO.:	
X.XX	=±0.15	CHECKED BY	YXJ	AC3401-060100XX-00	
X.X*	=±3'	APPROVED BY	JIM	STANDARD NO.	
⊕		SORTING NO.	NY (WSC)	DRAWING SIZE	1 : 1 A4
				UNIT	mm
				PAGE	1 OF 1