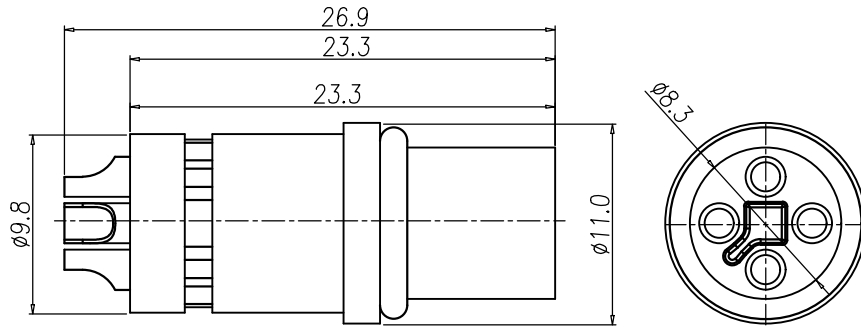


REV	DATE	DESCRIPTION	ECN NO.	NAME
A	20.04.20	PROPOSAL		LWEI

RoHS Compliant

M12 T-CODING (F)

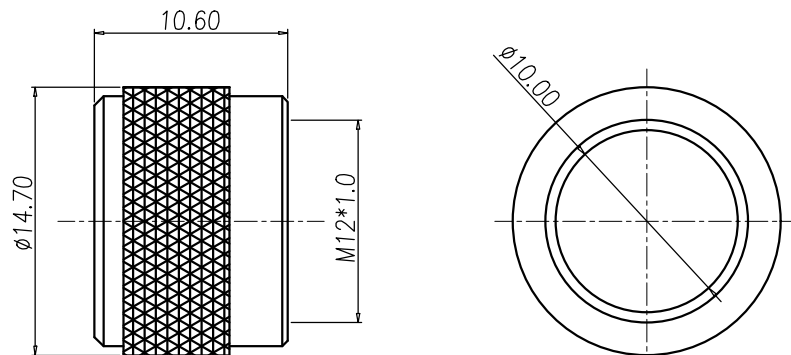


- MATERIAL :
 - 1-1. HOUSING : PA66 UL94V-0 ; COLOR : BLACK
 - 1-2. CONTACT : BRASS
 - 1-3. O-RING : EPDM
 - 1-4. NUT : BRASS
- FINISH :
 - 2-1. CONTACT : 10u" MIN. GOLD PLATED UNDER PLATE : NICKEL
 - 2-2. NUT : NICKEL PLATED
- ELECTRICAL SPECIFICATION :
 - 3-1. Rated current : 12A
 - 3-2. Rated Voltage : 63V 3-3. Water proof: IP67/68
- Environmental :
 - 4-1. Operation Temperature : -40°C~105°C
- ORDER INFORMATION: AC3402-180300 XX-00

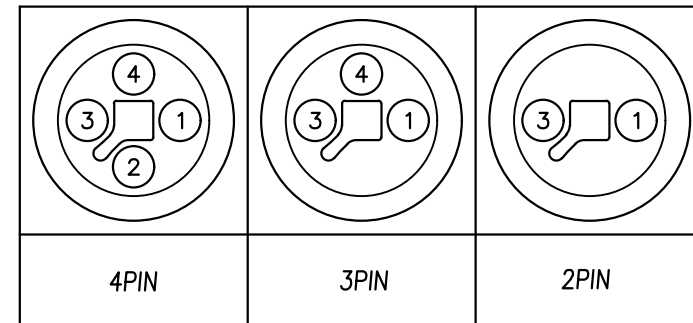
①

PIN OPTION

- ① — 01: 4PIN
- 02: 3PIN
- 03: 2PIN



NUT



CUST NO.:

PART NO.: AC3402-180300XX-00

GENERAL TOLERANCE	WIESON TECHNOLOGIES CO., LTD	STANDARD NO.	
X.X = ±0.20	DRAWN BY LWEI	DRAWING SIZE	1 : 1 A4
X.XX = ±0.15	CHECKED BY YXJ	UNIT	mm
X.X* = ±3'	APPROVED BY JIM	PAGE	1 OF 1
⊕	SORTING NO. NY (WSC)		