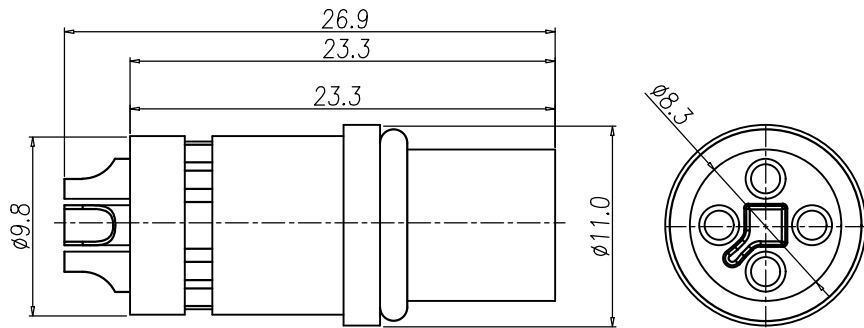


REV	DATE	DESCRIPTION	ECN NO.	NAME
A	20.04.20	PROPOSAL		LWEI

RoHS Compliant

M12 T-CODING (F)

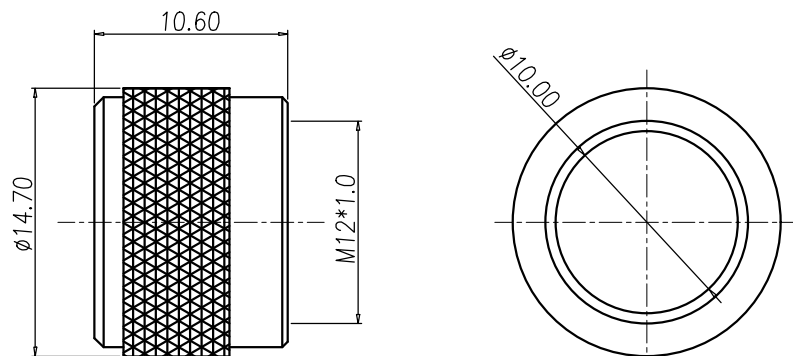


- MATERIAL :
 - HOUSING : PA66 UL94V-0 ; COLOR : BLACK
 - CONTACT : BRASS
 - O-RING : EPDM
 - NUT : BRASS
- FINISH :
 - CONTACT : 10u" MIN. GOLD PLATED UNDER PLATE : NICKEL
 - NUT : NICKEL PLATED
- ELECTRICAL SPECIFICATION :
 - Rated current : 12A
 - Rated Voltage : 63V
 - Water proof: IP67/68
- Environmental :
 - Operation Temperature : -40°C~105°C
- ORDER INFORMATION: AC3402-180300 XX-00

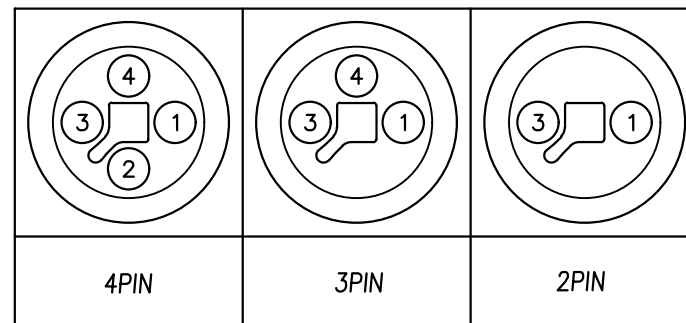
①

PIN OPTION

- ① — 01: 4PIN
- 02: 3PIN
- 03: 2PIN



NUT



CUST NO.:

PART NO.: AC3402-180300XX-00

GENERAL TOLERANCE	WIESON TECHNOLOGIES CO., LTD		STANDARD NO.	
X.X = ±0.20	DRAWN BY	LWEI	DRAWING SIZE 1 : 1 A4	
X.XX = ±0.15	CHECKED BY	YXJ	UNIT mm	
X.X* = ±3'	APPROVED BY	JIM	PAGE 1 OF 1	
⊕	SORTING NO.	NY (WSC)		