

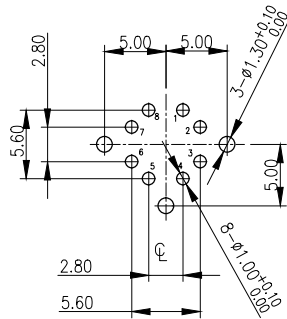
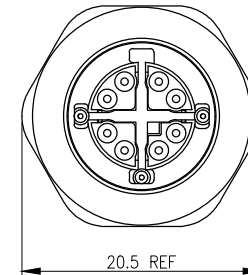
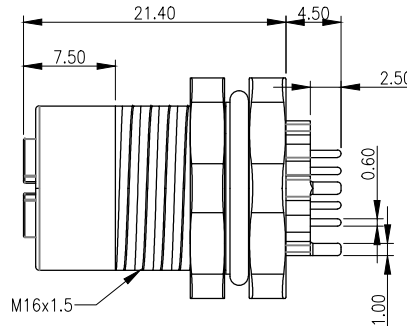
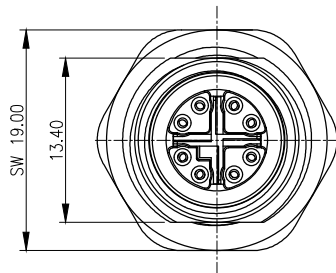
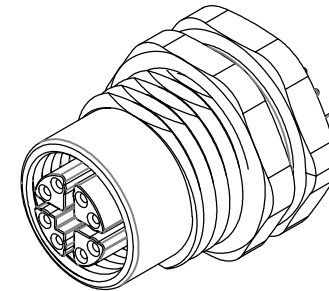
RoHS Compliant

REV	DATE	DESCRIPTION	ECN NO.	NAME
A	18.08.10	NEW RELEASE		Aaron

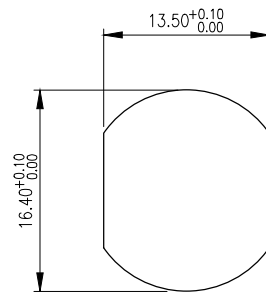
M12 X CODE CONNECTOR PANEL FEMALE TYPE

NOTE:

- MATERIAL:
CONTACT: BRASS
O-RING: SILICONE
X-SHELL: ZN ALLOY
SHELL: BRASS
HOUSING/COVER:
HIGH TEMPERATURE PLASTIC, UL94V-0, COLOR:BLACK
- PLATING:
CONTACT: 1~3u".GOLD PLATED
UNDER PLATE: NICKEL
NUT: NICKEL PLATED
SHELL: NICKEL PLATED
- PACKING: TRAY



RECOMMENDED PCB LAYOUT (TOP VIEW) T=1.6MM



PANEL CUT FOR PANEL THICKNESS MAX OF 4.5mm

TECHNICAL DATA	G3402-13000001-00
RATED VOLTAGE	48V
RATED CURRENT	0.5A
WATERPROOF RATE	IP67
TEMPERATURE RANGE	-40°C~85°C

GENERAL TOLERANCE		WIESON TECHNOLOGIES CO., LTD		PART NO.: G3402-13000001-00	
X.X	=±0.20	DRAWN BY	Aaron	DRAWING NO.	G3402-13000001-00
X.XX	=±0.15	CHECKED BY		DRAWING SIZE	1.7: 1 A4
X.X'	=±3'	APPROVED BY		UNIT	mm
		SORTING NO.	WST	PAGE	1 OF 2