

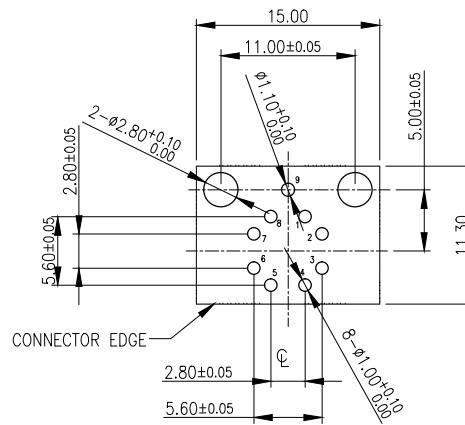
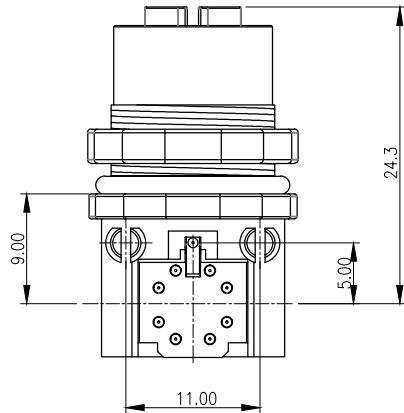
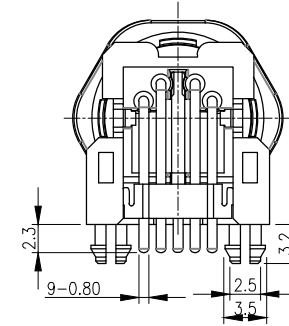
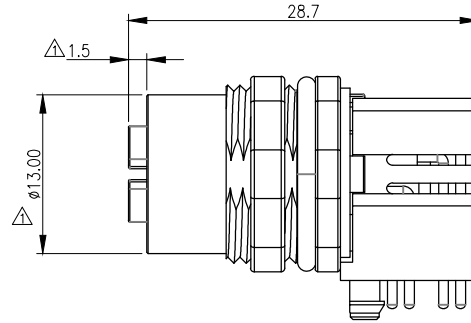
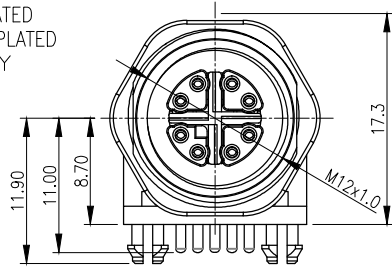
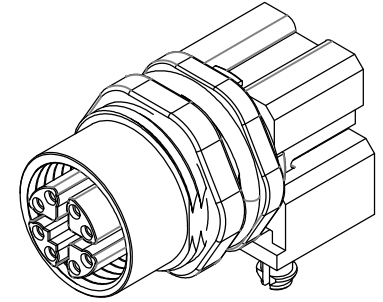
RoHS Compliant

REV	DATE	DESCRIPTION	ECN NO.	NAME
A1	18.05.25	△ MODIFY DIM		Aaron

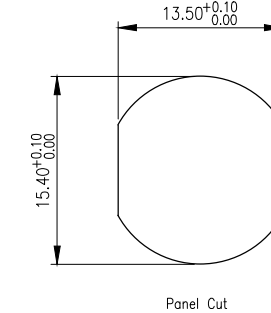
# M12 8P CONNECTOR Rec. R/A TYPE

NOTE:

- MATERIAL:  
CONTACT: BRASS  
O-RING: EPDM  
X-SHELL: ZN ALLOY  
SHELL: BRASS  
HOUSING/COVER:  
HIGH TEMPERATURE PLASTIC, UL94V-0, COLOR:BLACK
- PLATING:  
CONTACT: 10 MICRO INCHES MIN.GOLD PLATED  
UNDER PLATE: NICKEL  
NUT: NICKEL PLATED  
SHELL: NICKEL PLATED
- PACKING: TRAY



RECOMMENDED PCB LAYOUT (TOP VIEW) T=1.6MM



Panel Cut

PIN	SIGNAL
1	TD2+
2	RD2+
3	TD4+
4	RD4-
5	RD3-
6	TD3+
7	TD1+
8	RD1-
9	ground

GENERAL TOLERANCE X.X = ±0.20 X.XX = ±0.15 X.X* = ±3*	WIESON TECHNOLOGIES CO., LTD WIESON		PART NO.: G3402HT714-006	
	DRAWN BY Aaron	DRAWING NO. G3402HT714-006	DRAWING SIZE 1.7: 1   A4	
CHECKED BY	APPROVED BY	UNIT mm		
SORTING NO. WST	PAGE 1 OF 1			