

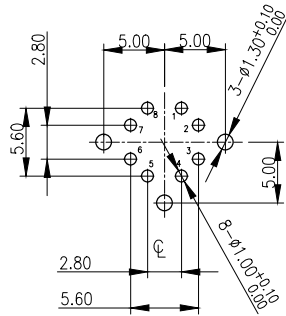
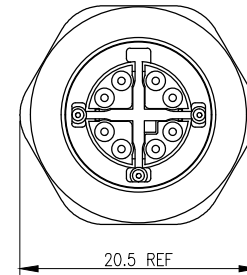
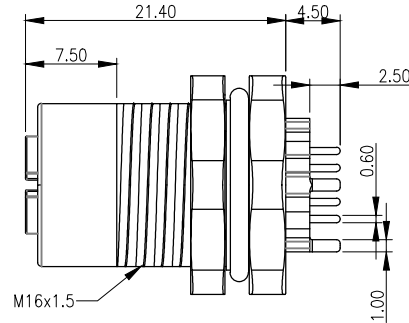
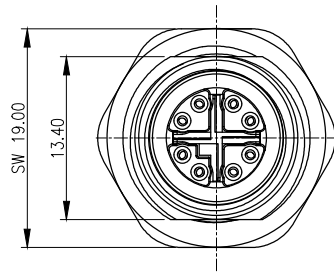
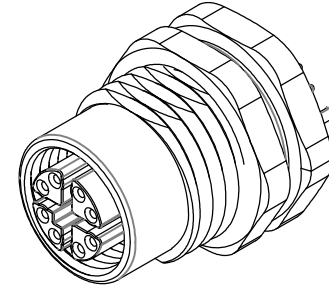
RoHS Compliant

REV	DATE	DESCRIPTION	ECN NO.	NAME
A	18.08.10	NEW RELEASE		Aaron
A1	19.06.24	MODIFY IP6X		Aaron

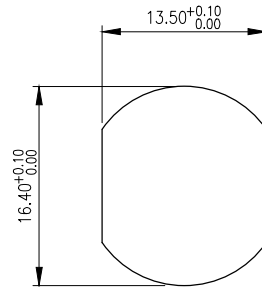
M12 X CODE CONNECTOR PANEL FEMALE TYPE

NOTE:

- MATERIAL:
 - CONTACT: BRASS
 - O-RING: SILICONE
 - X-SHELL: ZN ALLOY
 - SHELL: BRASS
 - HOUSING/COVER: HIGH TEMPERATURE PLASTIC, UL94V-0, COLOR:BLACK
- PLATING:
 - CONTACT: 1~3u".GOLD PLATED
 - UNDER PLATE: NICKEL
 - NUT: NICKEL PLATED
 - SHELL: NICKEL PLATED
- PACKING: TRAY



RECOMMENDED PCB LAYOUT (TOP VIEW) T=1.6MM



PANEL CUT FOR PANEL THICKNESS MAX OF 4.5mm

TECHNICAL DATA	G3402-13000001-00
RATED VOLTAGE	48V
RATED CURRENT	0.5A
WATERPROOF RATE	IP68
TEMPERATURE RANGE	-40°C~85°C

GENERAL TOLERANCE		WIESON TECHNOLOGIES CO., LTD		PART NO.:	
X.X	=±0.20	WIESON		G3402-13000001-00	
X.XX	=±0.15	DRAWN BY	Aaron	DRAWING NO.	G3402-13000001-00
X.X*	=±3°	CHECKED BY		DRAWING SIZE	1.7: 1 A4
		APPROVED BY		UNIT	mm
		SORTING NO.	WST	PAGE	1 OF 2