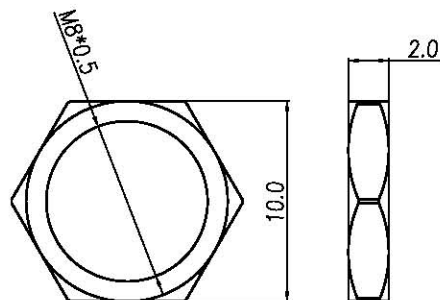
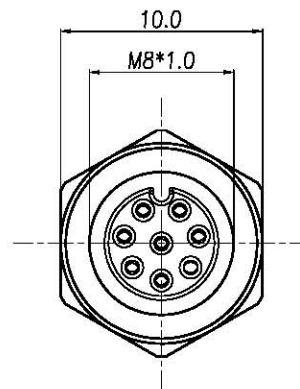
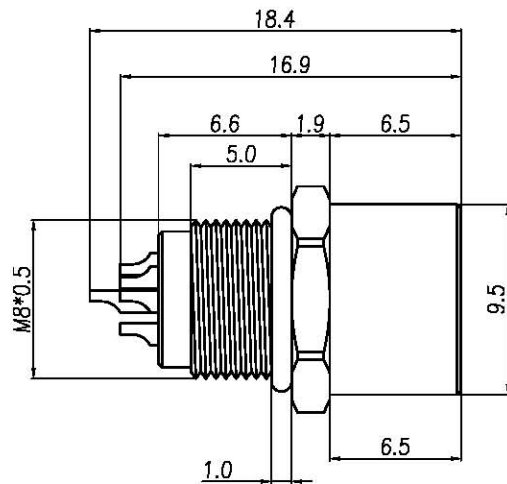
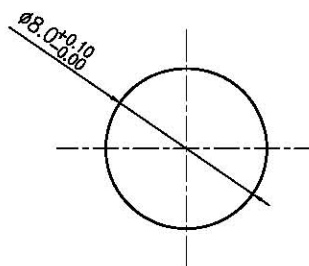


RoHS Compliant

REV	DATE	DESCRIPTION	ECN NO.	NAME



Nut



Recommend Panel Cut-Out

NOTE:

1. MATERIAL :
  1. HOUSING : PA66 ; COLOR : BLACK
  2. CONTACT : BRASS.
  3. SHELL : BRASS.
  4. NUT : BRASS.
  5. O-RING : EPDM ; COLOR : BLACK
2. FINISH :
  1. CONTACT : GOLD FLASH.
  2. SHELL : NICKEL PLATED.
  3. NUT : NICKEL PLATED.
3. ELECTRICAL SPECIFICATION :
  1. Rated current : 1.5A
  2. Rated voltage : 30V
  3. Water proof : IP67
4. Environmental :
  1. Operation Temperature : -40°C~105°C

CUST P/N.:

WIESON TECHNOLOGIES CO., LTD  
WIESON

PART NO.:  
G3402 Series

TITLE: M8 Female 8Pin Rear Lock

DRAWN BY		DRAWING NO.	
CHECKED BY		DRAWING SIZE	NONE A4
APPROVED BY		UNIT	mm
SORTING NO.		PAGE	1 OF 1