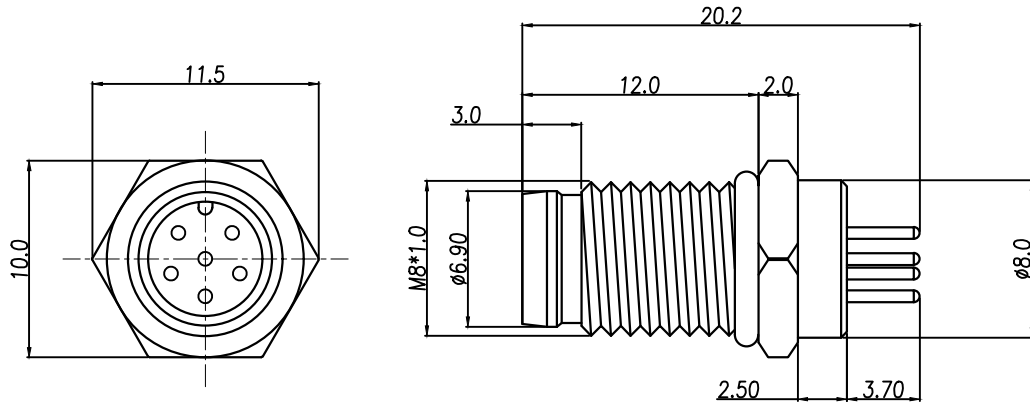


**RoHS Compliant**

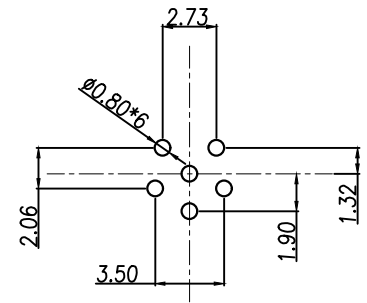
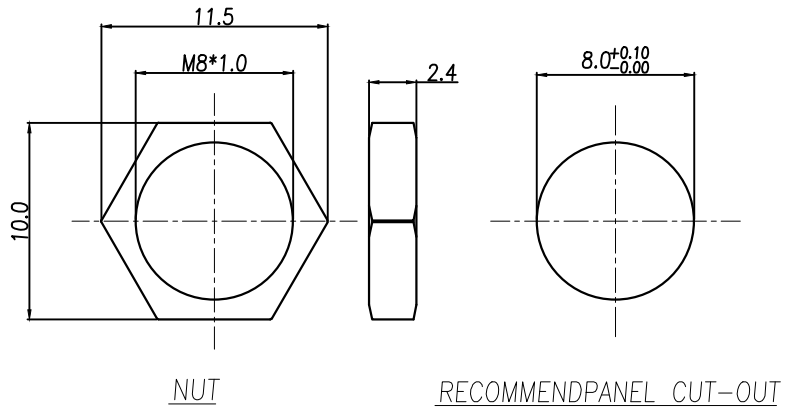
M8 6PIN(M) M8\*1.0 DIP TYPE WATERPROOF PLUG

REV	DATE	DESCRIPTION	ECN NO.	NAME
A	20.01.13	PROPOSAL		LWEI

A  
B  
C  
D  
E



1. MATERIAL :
- 1-1. HOUSING : PA ; COLOR : BLACK
  - 1-2. CONTACT : BRASS.
  - 1-3. SHELL : BRASS
  - 1-4. O-RING : NBR ; COLOR : BLACK
  - 1-5. NUT : BRASS.
2. FINISH :
- 2-1. CONTACT : SEE ORDER INFORMATION GOLD PLATED
  - 2-2. SHELL : NICKEL PLATED.
  - 2-3. NUT : NICKEL PLATED.
3. ELECTRICAL SPECIFICATION :
- 3-1. Rated current : 2A
  - 3-2. Rated voltage : 30V
4. ORDER INFORMATION: AC3401-050000 XX-00
- CONTACT PLATING
- ① 00: G/F
  - 01: 10u" Au



RECOMMEND PCB LAYOUT

<p>TOLERANCE</p> <p>.x ±0.20</p> <p>.xx ±0.10</p> <p>.xxx ±0.05</p> <p>.xxxx ±0.03</p> <p>ANGULA ±1°</p>	<p>WIESON TECHNOLOGIES CO., LTD</p>	PART NO.: AC3401-050000XX-00		
		DRAWN BY	LWEI(WSC)	DRAWING NO.
	CHECKED BY	YXJ	DRAWING SIZE	A4
	APPROVED BY	JIM	UNIT	mm
	SORTING NO.	(WSC)	PAGE	1 OF 1

PROPOSAL

[ARTICLE:044033 V6]