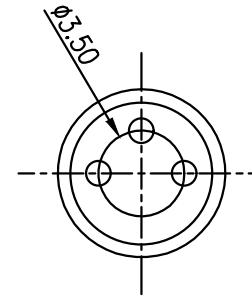
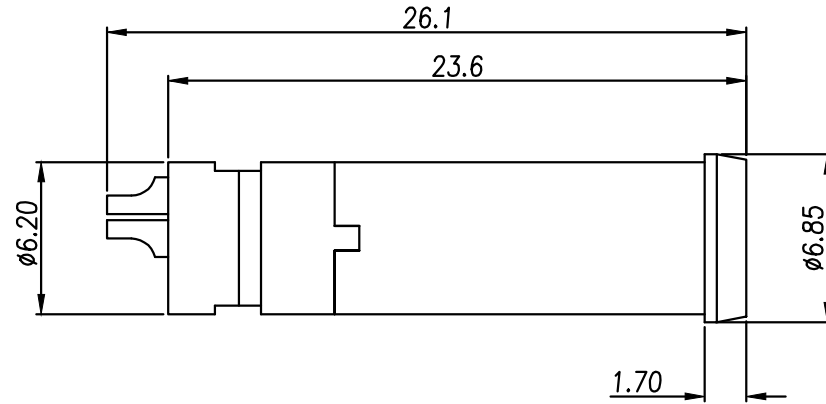


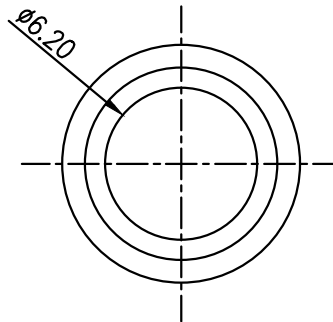
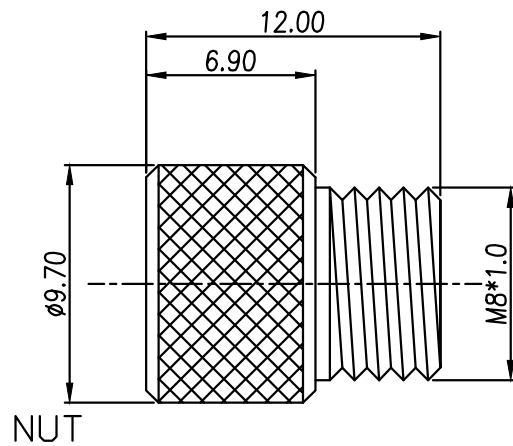
REV	DATE	DESCRIPTION	ECN NO.	NAME
A	20.07.16	PROPOSAL		LWEI

**RoHS Compliant**

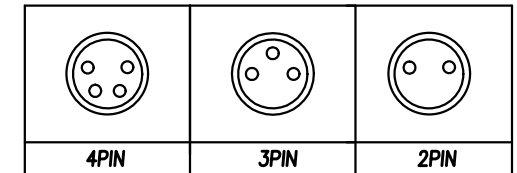
WATERPROOF M8 (M)



1. MATERIAL :
  - 1-1. HOUSING : PBT ; COLOR : BLACK
  - 1-2. CONTACT : BRASS.
  - 1-3. SHELL : BRASS
  - 1-4. NUT : BRASS.
2. FINISH :
  - 2-1. CONTACT : SEE ORDER INFORMATION
  - 2-2. SHELL : NICKEL PLATED.
  - 2-3. NUT : NICKEL PLATED.
3. ELECTRICAL SPECIFICATION :
  - 3-1. Rated current : 4A
  - 3-2. Rated voltage : 60V
  - 3-3. Water proof : IPX7
4. Environmental :
  - 4-1. Operation Temperature : -40 ~85
5. ORDER INFORMATION: AC3401-0507 XX XX -00
  - ①
  - ②



- |   |   |            |   |                |
|---|---|------------|---|----------------|
| ① | [ | PIN OPTION | [ | PLATING OPTION |
|   |   | 00: 2PIN   |   | 00: G/F        |
|   |   | 01: 3PIN   |   | 01: 10u"       |
|   |   | 02: 4PIN   |   |                |



GENERAL TOLERANCE		WIESON TECHNOLOGIES CO., LTD		CUST NO.:	
X.X	=±0.20	DRAWN BY	LWEI	PART NO.:	
X.XX	=±0.15	CHECKED BY	YXJ	AC3401-0507XXXX-00	
X.X*	=±1*	APPROVED BY	JIM	STANDARD NO.	
⊕		SORTING NO.	NY(WSC)	DRAWING SIZE	1 : 1   A4
				UNIT	mm
				PAGE	1 OF 1