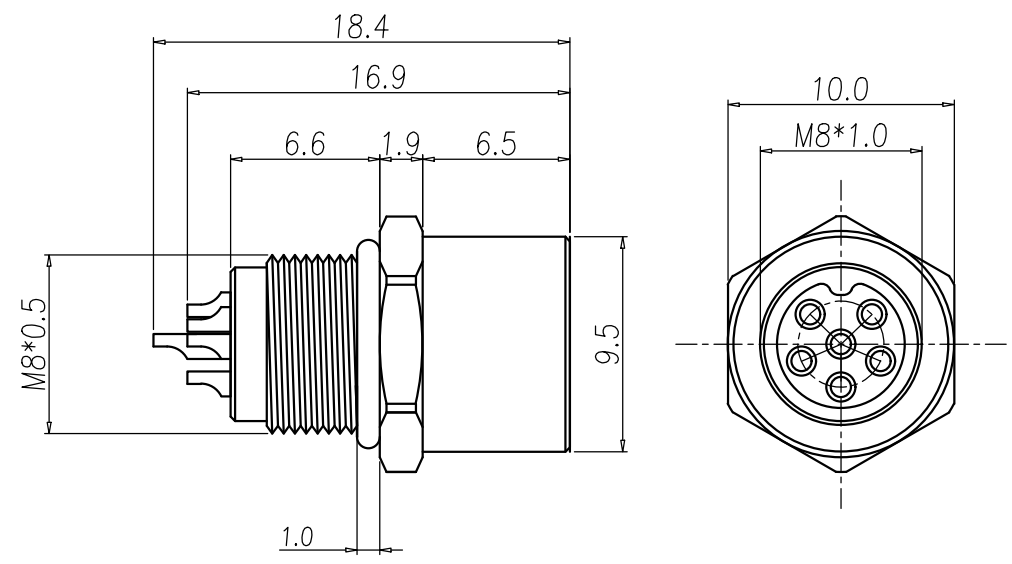


RoHS Compliant

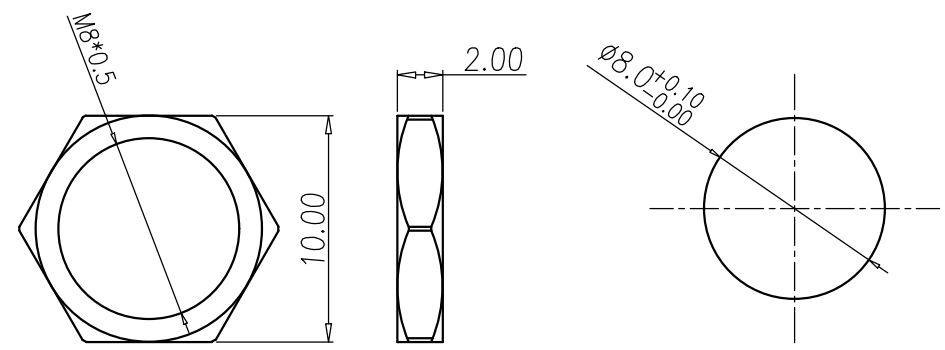
Waterproof M8 (F) 後鎖焊線式(梅花型92°)

REV	DATE	DESCRIPTION	ECN NO.	NAME
A	20.06.29	PROPOSAL		LWEI

A
B
C
D
E

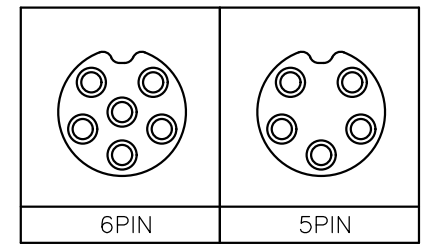


NOTE:
 1. MATERIAL :
 1-1. HOUSING : PA66 ; COLOR : BLACK
 1-2. CONTACT : BRASS.
 1-3. SHELL : BRASS.
 1-4. NUT : BRASS.
 1-5. O-RING : EPDM ; COLOR : BLACK
 2. FINISH :
 2-1. CONTACT : GOLD FLASH.
 2-2. SHELL : NICKEL PLATED.
 2-3. NUT : NICKEL PLATED.
 3. ELECTRICAL SPECIFICATION :
 3-1. Rated current : 2A
 3-2. Rated Voltage : 30V
 3-3. Water proof : IP67
 4. Environmental :
 4-1. Operation Temperature : -40 ~105
 5. ORDER INFORMATION: AC3402-1611 XX 00-00
 ①
 ①- 00: 5PIN
 ①- 01: 6PIN



NUT

RECOMMEND PANEL CUT-OUT



CUST NO.:

GENERAL TOLERANCE X.X = ±0.20 X.XX = ±0.15 X* = ±1*	WIESON TECHNOLOGIES CO., LTD		PART NO.: AC3402-1611XX00-00	
	DRAWN BY	LWEI	STANDARD NO.	
	CHECKED BY	YXJ	DRAWING SIZE	1 : 1 A4
	APPROVED BY	JIM	UNIT	mm
	SORTING NO.	NY (WSC)	PAGE	1 OF 1