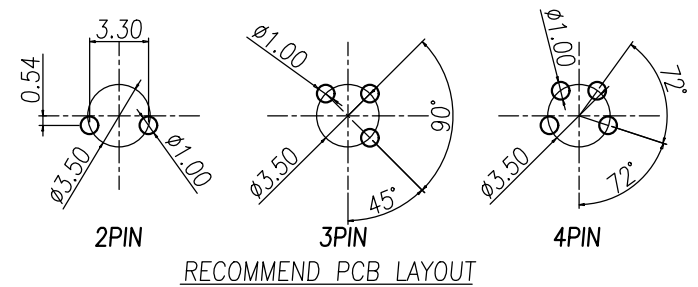
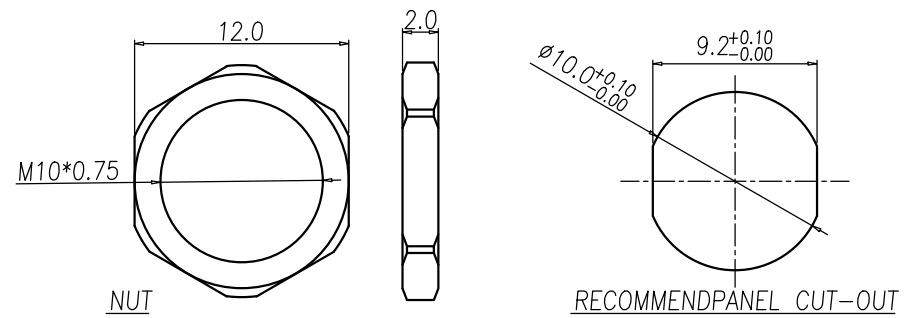
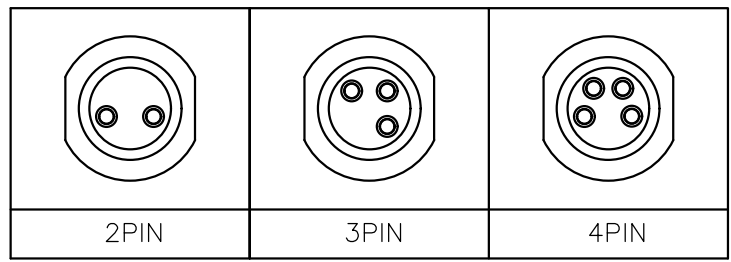
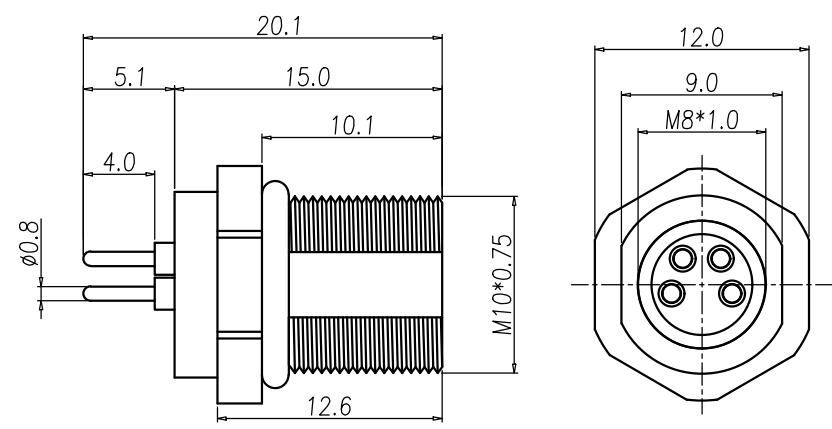


RoHS Compliant Waterproof M8 (F) 前鎖M10*0.75插板式

REV	DATE	DESCRIPTION	ECN NO.	NAME
A	20.06.29	PROPOSAL		LWEI

A
B
C
D
E



NOTE:
 1. MATERIAL :
 1-1. HOUSING : PA66 ; COLOR : BLACK
 1-2. CONTACT : BRASS.
 1-3. SHELL : BRASS.
 1-4. NUT : BRASS.
 1-5. O-RING : EPDM ; COLOR : BLACK
 2. FINISH :
 2-1. CONTACT : SEE TABLE
 2-2. SHELL : NICKEL PLATED.
 2-3. NUT : NICKEL PLATED.
 3. ELECTRICAL SPECIFICATION :
 3-1. Rated current : 4A
 3-2. Rated Voltage : 60V
 3-3. Water proof : IP67
 4. Environmental :
 4-1. Operation Temperature : -40 ~ 105
 5. ORDER INFORMATION: AC3402-1614 XX XX-00
 PIN OPTION PLATING OPTION
 ① 00: 2PIN ② 00: G/F
 01: 3PIN ② 01: 10u"
 02: 4PIN

GENERAL TOLERANCE		WIESON TECHNOLOGIES CO., LTD		CUST NO.:	
X.X	=±0.20	DRAWN BY	LWEI	PART NO.: AC3402-1614XXXX-00	
X.XX	=±0.15	CHECKED BY	YXJ	STANDARD NO.	
X*	=±1*	APPROVED BY	JIM	DRAWING SIZE	1 : 1 A4
⊕		SORTING NO.	NY (WSC)	UNIT	mm
				PAGE	1 OF 1