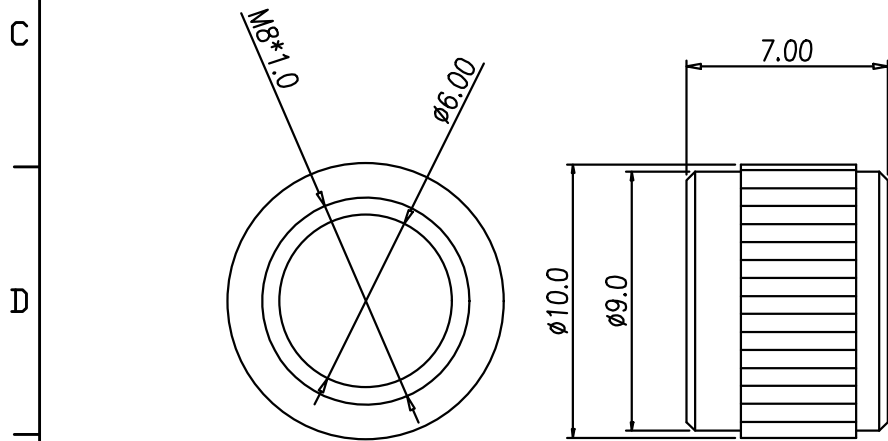
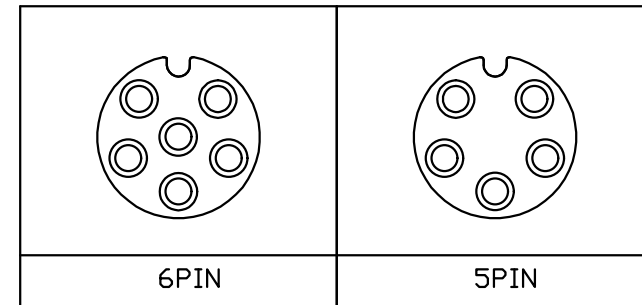
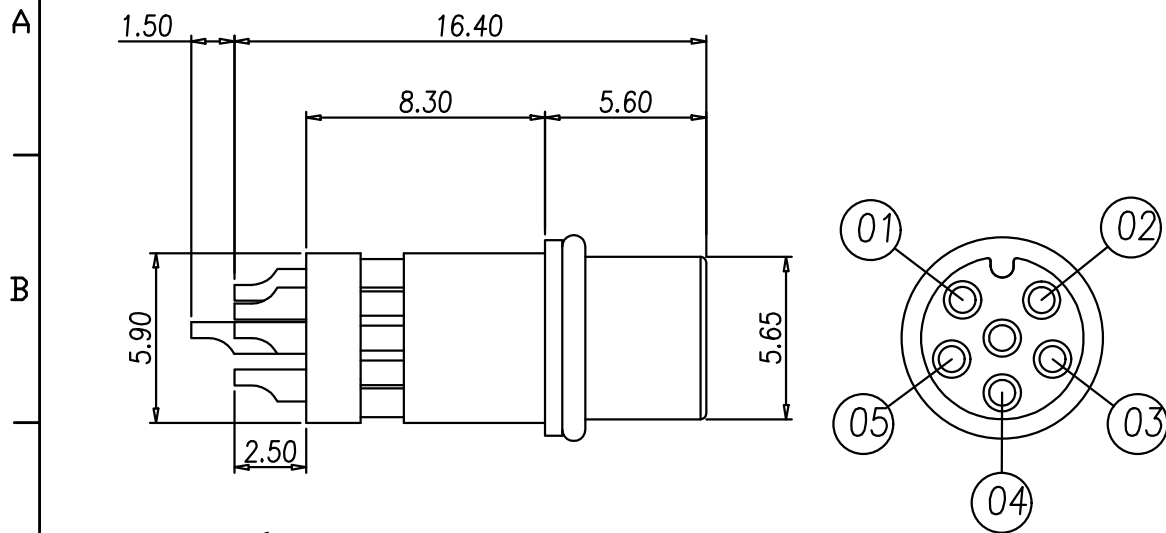


REV	DATE	DESCRIPTION	ECN NO.	NAME
A	20.06.29	PROPOSAL		LWEI

RoHS Compliant

Waterproof M8 (F)



NUT

NOTE:

- MATERIAL :
 - 1-1. HOUSING : PA66 UL94V-0 ; COLOR : BLACK
 - 1-2. CONTACT : BRASS.
 - 1-3. NUT : BRASS.
 - 1-4. O-RING : NBR
- FINISH :
 - 2-1. CONTACT : GOLD FLASH
 - 2-2. NUT : NICKEL PLATED.
- ELECTRICAL SPECIFICATION :
 - 3-1. Rated current : 2A
 - 3-2. Rated Voltage : 30V
 - 3-3. Water proof : IP67
- Environmental :
 - 4-1. Operation Temperature : -40 ~105
- ORDER INFORMATION: AC3402-1617 XX 00-00

- PIN OPTION
 ① 00: 5PIN
 01: 6PIN

CUST NO.:

GENERAL TOLERANCE		WIESON TECHNOLOGIES CO., LTD WIESON		PART NO.: AC3402-1617XX00-00	
X.X	=±0.20	DRAWN BY	LWEI	STANDARD NO.	
X.XX	=±0.15	CHECKED BY	YXJ	DRAWING SIZE	1 : 1 A4
X*	=±1*	APPROVED BY	JIM	UNIT	mm
⊕		SORTING NO.	NY (WSC)	PAGE	1 OF 1