

REV	DATE	DESCRIPTION	ECN NO.	NAME
A	20.06.29	PROPOSAL		LWEI

RoHS Compliant

Waterproof M8 (F)

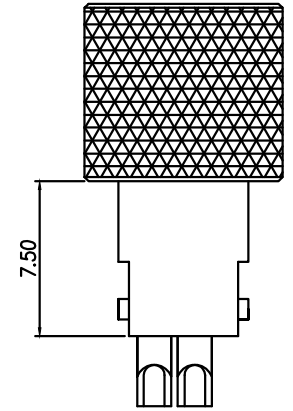
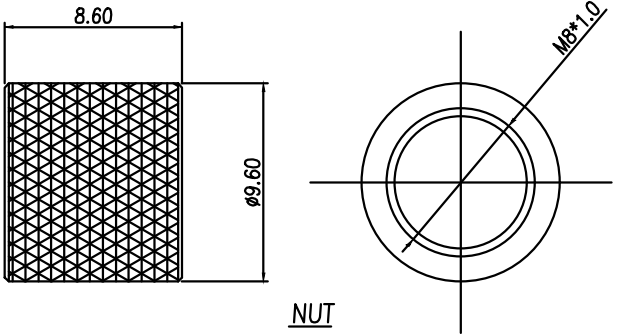
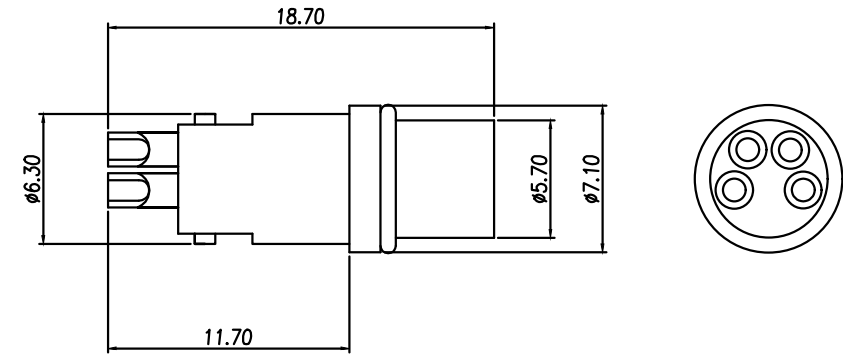
A

B

C

D

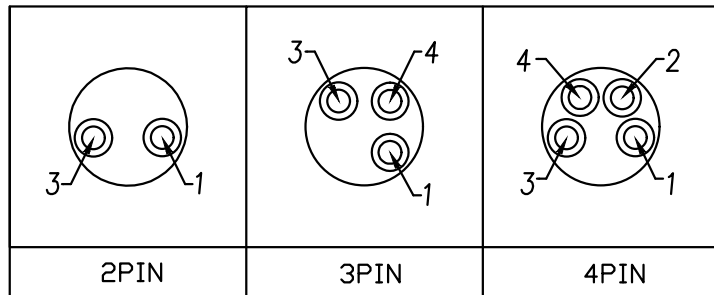
E



NOTE:

1. MATERIAL :
 - 1-1. HOUSING : PBT UL94V-0 ; COLOR : BLACK
 - 1-2. CONTACT : PHOSPHOR BRONZE.
 - 1-3. NUT : BRASS.
 - 1-4. O-RING : NBR ; COLOR : BLACK
2. FINISH :
 - 2-1. CONTACT AREA : 10 MICRO INCHES MIN. GOLD PLATING
SOLDER AREA : GOLD FLAS
UNDER PLATE : NICKEL
 - 2-2. NUT : NICKEL PLATED.
3. ELECTRICAL SPECIFICATION :
 - 3-1. Rated current : 4A
 - 3-2. Rated Voltage : 60V
 - 3-3. Water proof : IP67
4. Environmental :
 - 4-1. Operation Temperature : -40 ~105
5. ORDER INFORMATION: AC3402-1618 XX 00-00

- PIN OPTION
 ① 00: 2PIN
 01: 3PIN
 02: 4PIN



CUST NO.:
PART NO.:
AC3402-1618XX00-00

GENERAL TOLERANCE		WIESON TECHNOLOGIES CO., LTD		STANDARD NO.	
X.X	=±0.20	DRAWN BY	LWEI		
X.XX	=±0.15	CHECKED BY	YXJ	DRAWING SIZE 1 : 1 A4	
X*	=±1*	APPROVED BY	JIM	UNIT mm	
⊕		SORTING NO.	NY (WSC)	PAGE 1 OF 1	