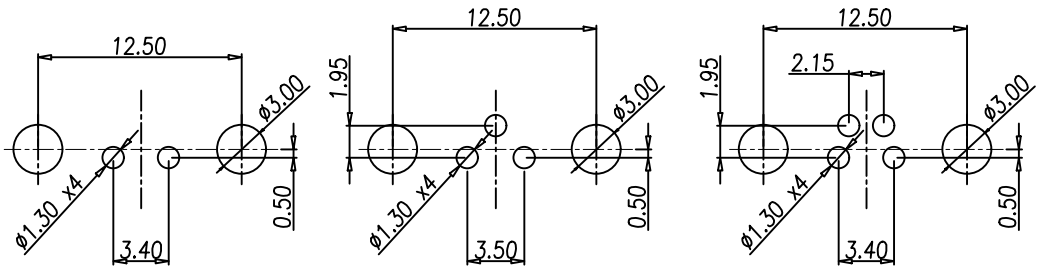
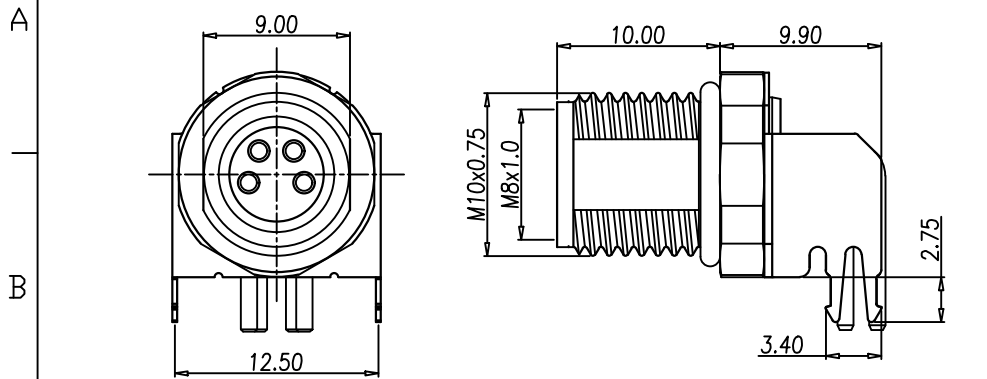


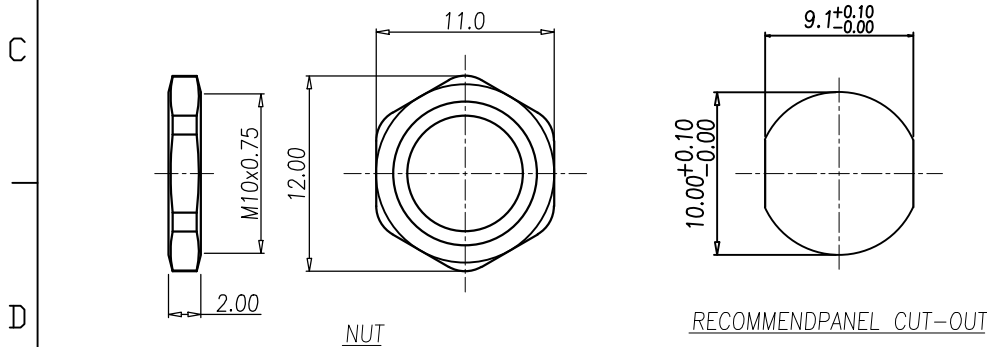
REV	DATE	DESCRIPTION	ECN NO.	NAME
A	20.05.15	PROPOSAL		LWEI

**RoHS Compliant**

Waterproof M8 (2,3,4)PIN(F) 90° DIP+GND



P.C.B LAYOUT

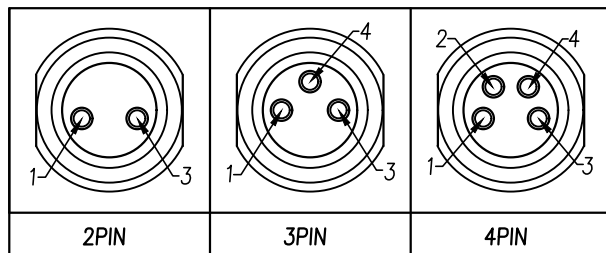


NUT

RECOMMEND PANEL CUT-OUT

1. MATERIAL :
  - 1-1. HOUSING : PA66 UL94V-0 ; COLOR : BLACK
  - 1-2. CONTACT : BRASS.
  - 1-3. NUT : BRASS.
  - 1-4. SHELL : BRASS.
  - 1-5. O-RING : NBR
  - 1-6. GROUND : PHOSPHOR BRONZE
2. FINISH :
  - 2-1. CONTACT : 10 MICRO INCHES MIN. GOLD PLATED
  - UNDER PLATE : NICKEL
  - 2-2. NUT : NICKEL PLATED
  - 2-3. SHELL : NICKEL PLATED
  - 2-4. GROUND : BIRGHT TIN PLATED
3. ELECTRICAL SPECIFICATION :
  - 3-1. Rated current : 4A
  - 3-2. Rated voltage : 60V
  - 3-3. Water proof : IP67
4. Environmental :
  - 4-1. Operation Temperature : -40℃~85℃
5. ORDER INFORMATION: AC3402-1640 XX 00-00

- PIN OPTION
- 00: 2PIN
  - 01: 3PIN
  - 02: 4PIN



CUST NO.:

GENERAL TOLERANCE		WIESON TECHNOLOGIES CO., LTD WIESON		PART NO.: AC3402-1640XX00-00	
X.X	=±0.20	DRAWN BY	LWEI	STANDARD NO.	
X.XX	=±0.15	CHECKED BY	YXJ	DRAWING SIZE 1 : 1 A4	
X*	=±1*	APPROVED BY	JIM	UNIT mm	
		SORTING NO.	NY (WSC)	PAGE 1 OF 1	