

REV	DATE	DESCRIPTION	ECN NO.	NAME
A	18.02.09	PROPOSAL		MZH

RoHS Compliant

3402 SERIES MICRO USB WATER PROOF 5P

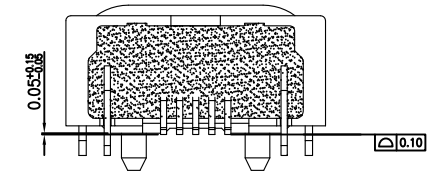
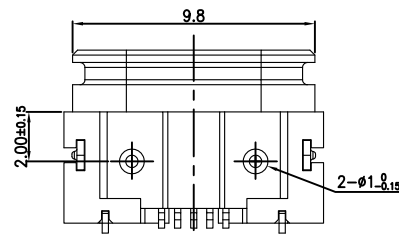
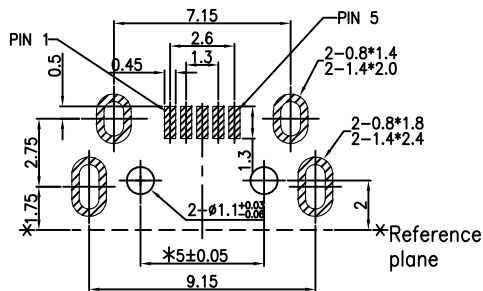
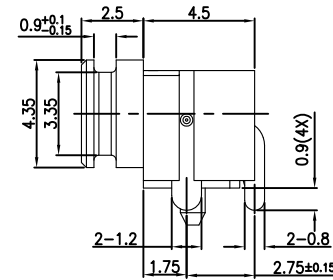
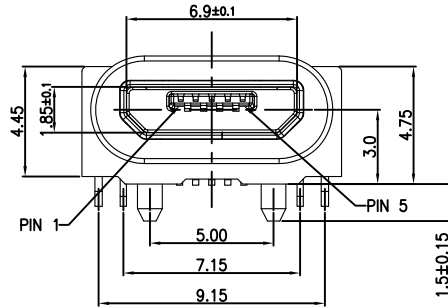
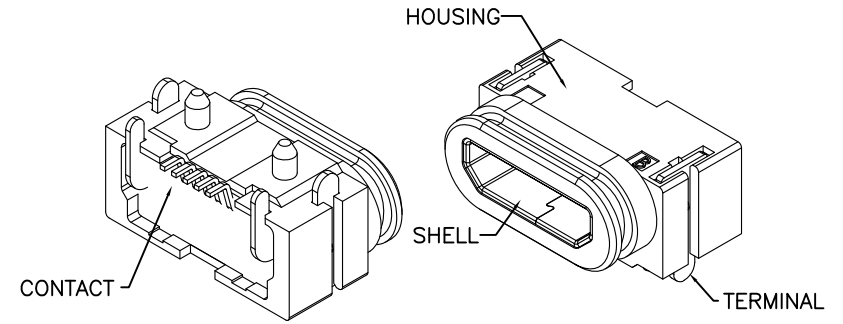
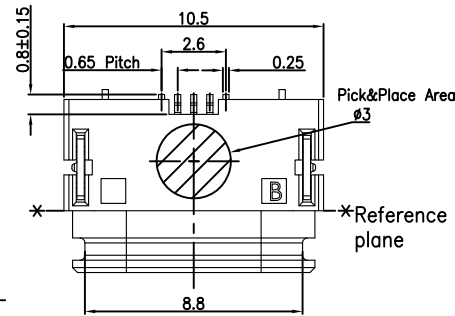
1.MATERIAL:

HOUSING: LCP (UL94V-0); COLOR: BLACK
 COVER: PA9T (UL94V-0); COLOR:BLACK
 CONTACT: COPPER ALLOY
 TERMINAL: SPCC
 SHELL: STANLESS STEEL

2.PLATING:

CONTACT PLATING: GOLD FLASH IN CONTACT AREA,
 Sn IN SOLDER TAIL AREA,
 BOTH OVER Ni UNDER PLATED OVERALL
 TERMINAL PLATING: MATTE Sn ,Cu UNDER PLATED
 SHELL PLATING: WELDABLE Ni OVERAL.

3.PACKING:REEL



RECOMMENDED PCB LAYOUT (TOP VIEW)

TOLERANCE: ±0.05mm



GENERAL TOLERANCE		WIESON TECHNOLOGIES CO., LTD WIESON	PART NO.: G3402HT490-002		
X.X	=±0.30		DRAWN BY	MZH	DRAWING NO.
X.XX	=±0.25	CHECKED BY	Kevin	DRAWING SIZE	1 : 1 A4
X.X*	=±3°	APPROVED BY	Aliulee	UNIT	mm
⊕		SORTING NO.	(WSC)	PAGE	1 OF 1

PROPOSAL

[ARTICLE:044033 V6]