

APPROVAL SHEET



FHD ELECTRONICS CORPORATION

CUSTOMER NAME : _____

COMMODITY : Piezo Transducer

TDAUSA PART NO. : T16840-P4000B-LA67

CUSTOMER PART NO. : _____

Approved by	Y. J.	Prepared by	HY Shen
-------------	-------	-------------	---------

Customer Approval			
Approved		Rejected	

1525 McCarthy Blvd, Suite 1000,

Milpitas, California 95035

Office: 408 457 9961 Fax: 408 457 7930

Email: sales@fhdmfg.com Website: www.fhdmfg.com

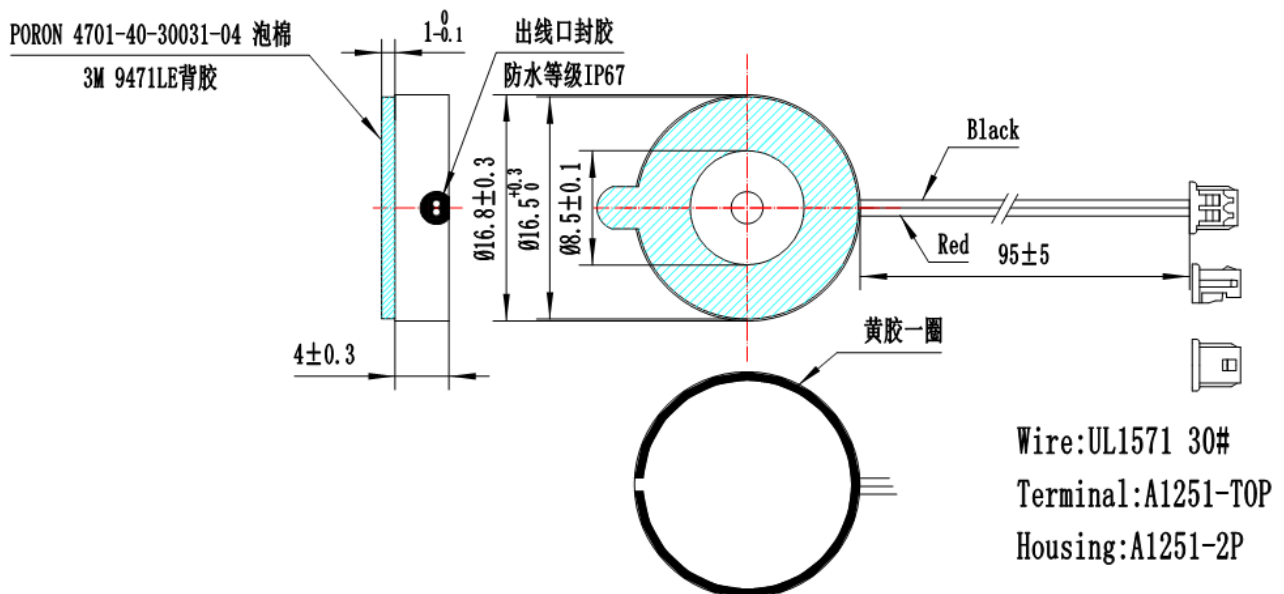
1. Technical Parameter

Measuring condition

Part shall be measured under a condition (Temperature: 5~35°C, Humidity: 45%~85%R.H., Atmospheric pressure: 860 ~ 1060hPa) unless the standard condition (Temperature: 25±3°C, Humidity: 60±10%R.H. Atmospheric pressure: 860 ~ 1060hPa) is regulated to measure.

1	Resonant Frequency	4000Hz ± 500Hz
2	Operating Voltage	1~25Vp-p
3	Rated Current	Max.3mA ,at 4KHz 50% duty Square Wave 9Vp-p
4	Sound Output at 30cm	Min. 80dB,at 4KHz 50% duty Square Wave 9Vp-p
5	Capacitance	15 ± 30% nF at 1KHz
6	Operating Temperature	-30°C ~ +80°C
7	Store Temperature	-40°C ~ +95°C
8	Net Weight	Approx 0.8g
9	Ingress Protection Rating	IP67
10	RoHS	Yes

2. Dimensions

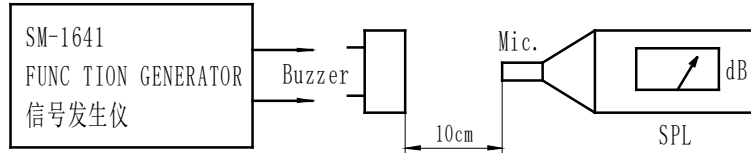


*Unit: mm; Tolerance: ± 0.5mm Except Specified

*Housing material: black PPO (including glass fiber)

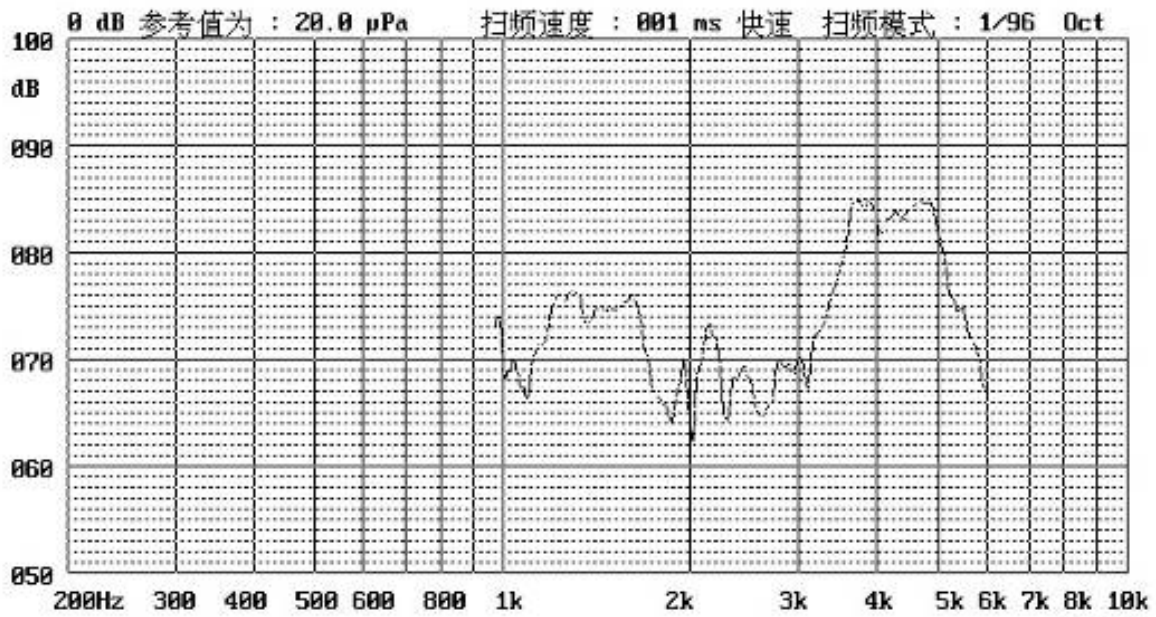
3. Electrical And Acoustical Measuring Condition

Recommended Setting



测试示意图

4. Frequency Response



9Vp 50% duty square wave, 10cm

5. Reliability Test

After any following tests the part shall meet specifications without any degradation in appearance and performance except SPL. SPL shall not deviate more than -5 dB from the initial value

5.1. Ordinary Temperature Life Test

The part shall be subjected to 96 hours at $25\pm 10^{\circ}\text{C}$. Input rated voltage, resonant frequency, 1/2 duty Square wave.

5.2. High Temperature Test

The part shall be capable of withstanding a storage temperature of $+70^{\circ}\text{C}$ for 96 hours.

5.3. Low Temperature Test

The part shall be capable of with standing a storage temperature of -30°C for 96 hours.

5.4. Humidity Test

Temperature: $+40^{\circ}\text{C}\pm 3^{\circ}\text{C}$ Relative Humidity: 90% ~ 95% Duration: 48 hours and expose to room temperature for 6 hours

5.5. Temperature Shock Test

Temperature: 60°C /1 hour \rightarrow 25°C /3hours \rightarrow 20°C /1 hour \rightarrow 25°C /3hours (1 cycle)

Total cycle: 10 cycles

5.6. Drop Test

Standard Packaging From 75cm (Drop on hard wood or board of 5cm thick, three sides, six plain.)

5.7. Vibration Test

Vibration: 1000cycles /min. Amplitude: 1.5mm, Duration: 1 hour in each 3 axes

Note:

As this product is not protected from foreign material entering, please make sure that any foreign materials (e.g. magnetic powder, washing solvent, flux, corrosive gas) do not enter this product in your production processes. The functional degradation (e.g. SPL down) may occur if foreign materials enter it.

6. PACKING INFORMATION

包装要求	PE 袋料号：F6-603，200pcs/袋； 内盒料号：F6-051，5袋/盒；1000pcs/盒 外箱料号：F6-007；外箱尺寸 40*39*25.cm 8个内盒/箱；8000pcs/箱	
唛头要求	内盒： 按订单要求	外箱： 按订单要求

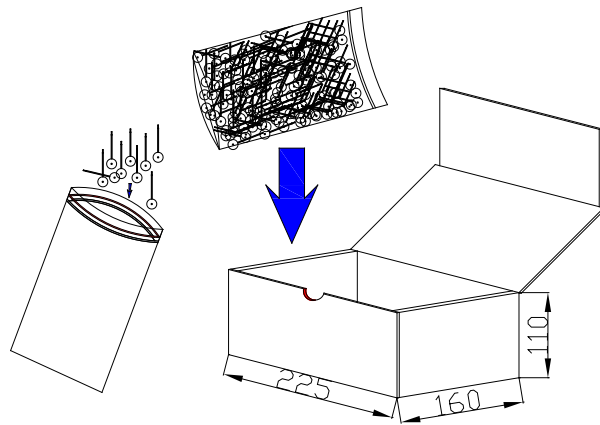


Fig.1

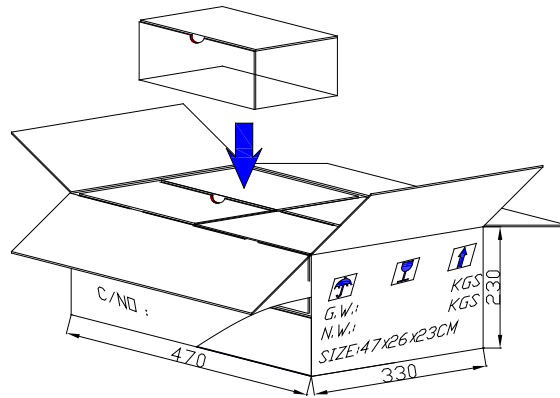


Fig.2

	包装名称	包装数量(pcs)	包装尺寸 (mm)	图解
1	PE 袋	200	190*130	Fig.1
2	内盒	1000	225*160*110	Fig.1
3	外箱	8000	400*395*240	Fig.2