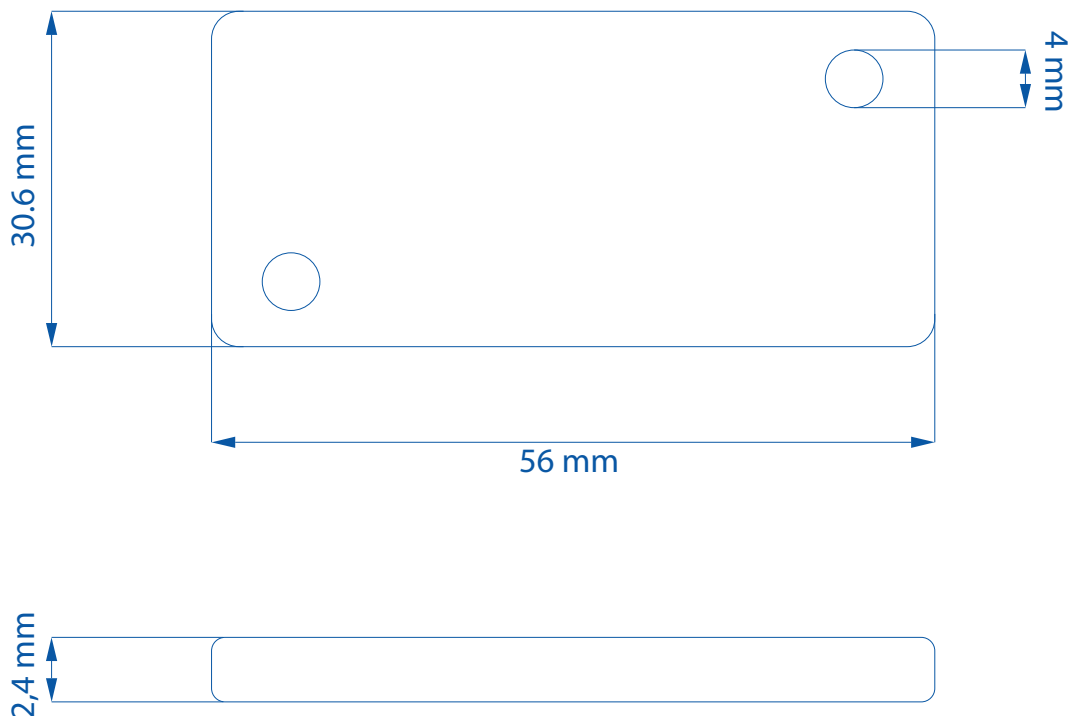


# BLUE SLIM ID



## TECHNICAL DATA

Battery	Lifecycle up to 2 years
Bluetooth	2,4 GHz - Bluetooth Low Energy 4.0/4.2
NFC	Supported
Dimensions	ABS Material 56 x 30,6 x 2,4 mm - 2 housing 4 mm holes, spaced of 43 mm
Weight	6 g
Operating temperature	-20°C to +55°C
Transmission range	Up to 300 meters (open field)
Transmission period	0,1 to 10 second (programmable)
Regulatory	CE (Europe)*: EN 300 328/ EN 301 489 & EN 55032 / EN 62368-1 FCC (USA)*: FCC 15.247 / FCC PT 15B ISED/IC (Canada)*: RSS-247 / ICES-003 RoHS certified (* ) Certification in progress



BLUE SLIM ID