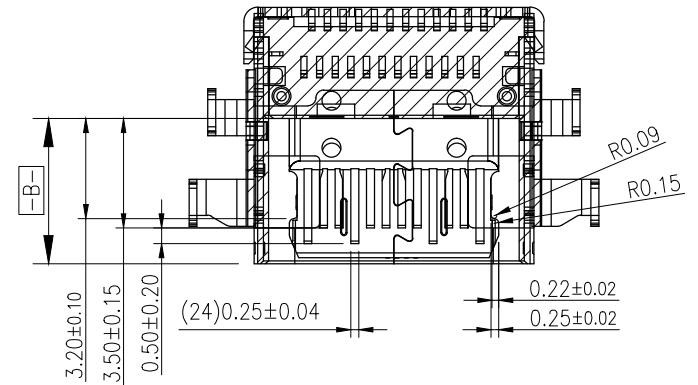
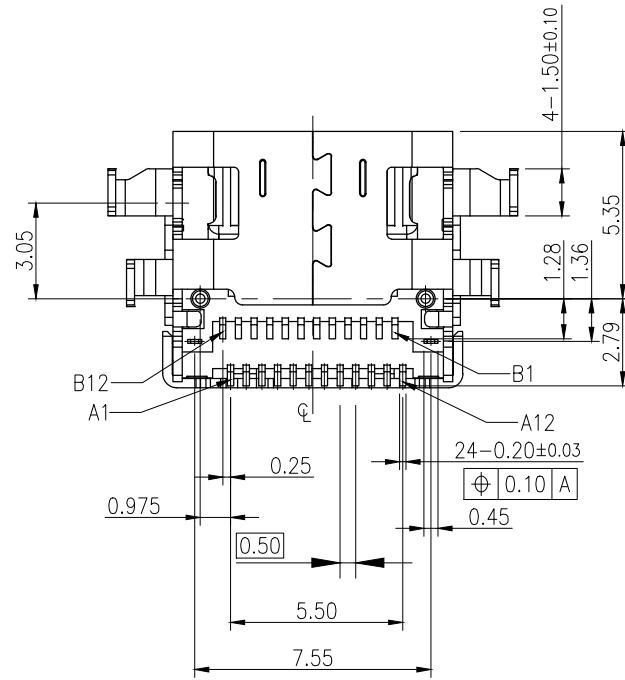
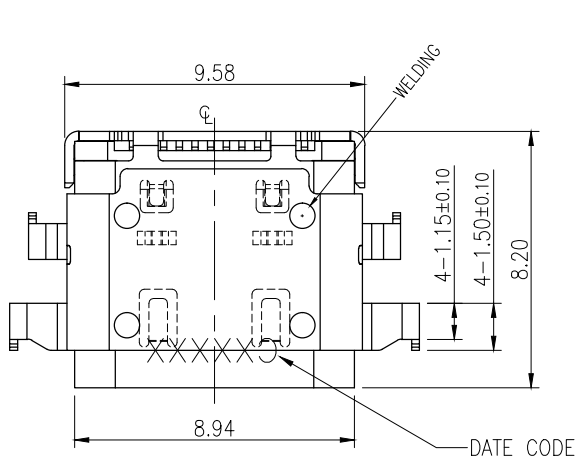


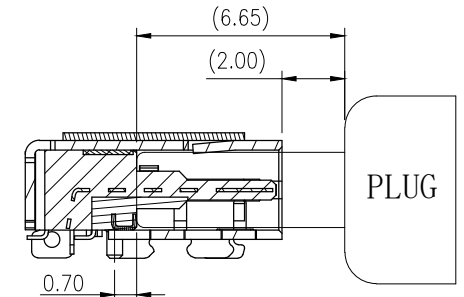
RoHS Compliant

REV	DATE	DESCRIPTION	ECN NO.	NAME
A2	21.06.17	MODIFY NARRATE		Tames

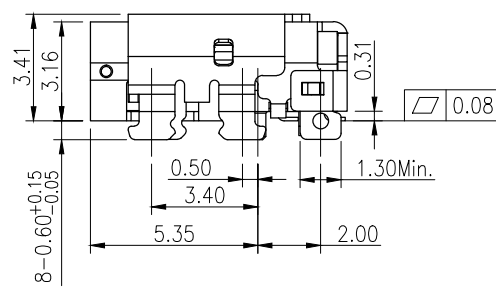
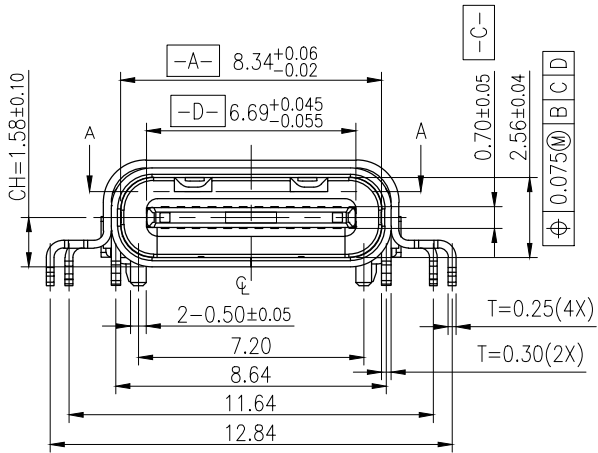
AC3518-01 SERIES USB TYPE C RIGHT ANGLE SMT TYPE CONNECTOR



SECTION A-A



MATING CONDITION



PIN ASSIGNMENT											
A1	A2	A3	A4	A5	A6	A7	A8	A9	A10	A11	A12
GND	TX1+	TX1-	VBUS	CC1	D+	D-	SBU1	VBUS	RX2-	RX2+	GND
GND	RX1+	RX1-	VBUS	SBU2	D-	D+	CC2	VBUS	TX2-	TX2+	GND
B12	B11	B10	B9	B8	B7	B6	B5	B4	B3	B2	B1

CUST NO.:

GENERAL TOLERANCE

X.X = ±0.20
 X.XX = ±0.15
 X.X* = ±3°

WIESON TECHNOLOGIES CO., LTD
 WIESON

DRAWN BY	Tames
CHECKED BY	Hsien
APPROVED BY	Hsien
SORTING NO.	(3298)

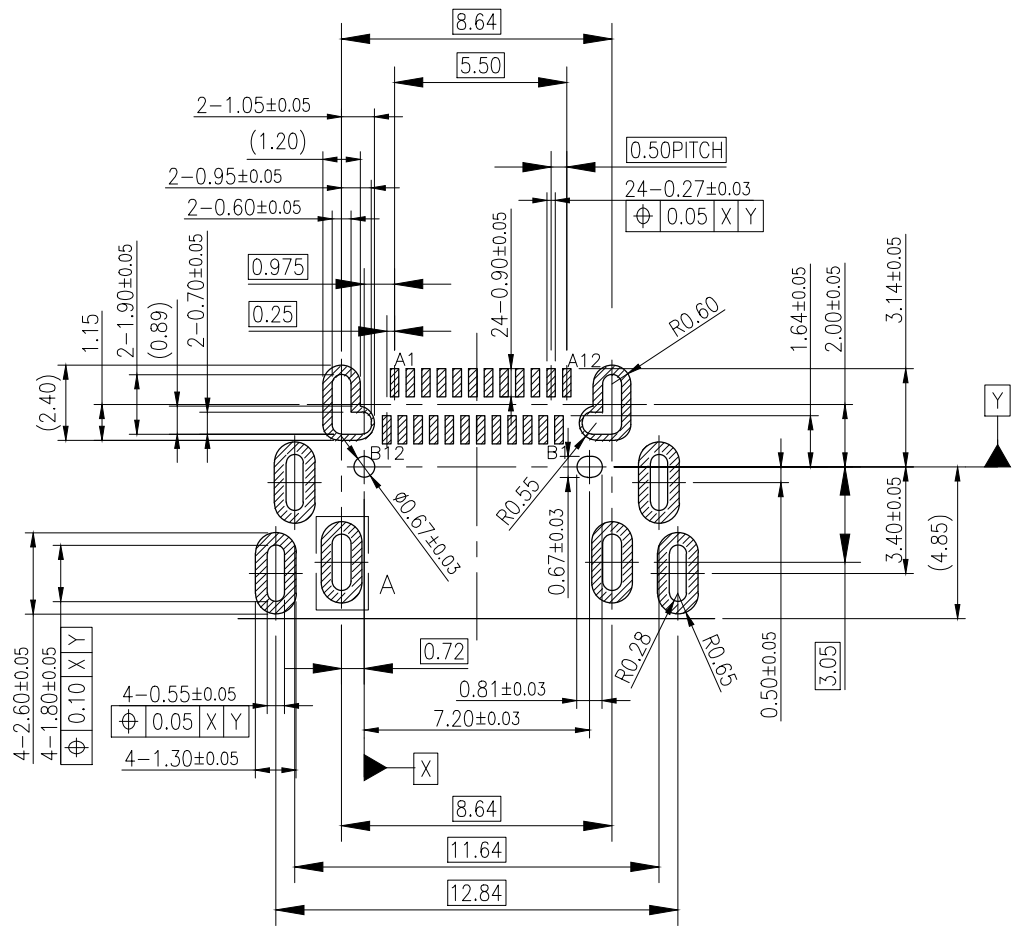
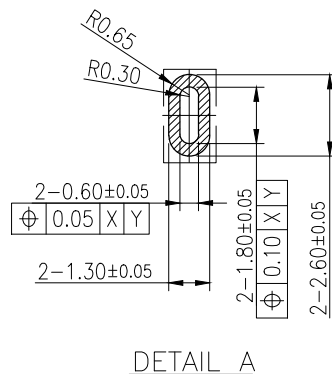
PART NO.: AC3518-01000004-00

STANDARD NO.	AC3518-01000004-00
DRAWING SIZE	4 : 1 A4
UNIT	mm
PAGE	1 OF 2

RoHS Compliant

REV	DATE	DESCRIPTION	ECN NO.	NAME
A2	21.06.17	MODIFY NARRATE		Tames

AC3518-01 SERIES USB TYPE C RIGHT ANGLE SMT TYPE CONNECTOR



NOTES :

- MATERIAL:
 - A. HOUSING : LCP E130i, HIGH TEMP,UL94V-0 .
 - B. CONTACT : CU01.
 - C. MID-PLATE : SUS301.
 - D. SHELL : SUS304.
 - E. OUTER SHELL : SUS304.
- FINISH:
 - CONTACT : 30u" Au ON CONTACT AREA
 - 1u" Au ON SOLDER AREA
 - 50u"(Min) NICKEL UNDERPLATING OVERALL .
- ELECTRICAL CHARACTERISTIC:
 - 3-1. CURRENT RATING: 5A
 - VOTAGE RATING: 30V
 - 3-2. LOW LEVEL CONTACT RESISTANCE: 40mohms MAX. FOR VBUS, GND AND OTHER CONTACTS. 50mohms MAX. AFTER ENVIRONMENT TEST.
- MECHANICAL CHARACTERISTIC:
 - 4-1. INSERTION FORCE: 5~20N.
 - 4-2. EXTRACTION FORCE: 8~20N.
 - 4-3. DURABILITY: 10000 MATING CYCLES
 - 4-4. OPERATING TEMPERATURE: -55°C TO +85°C.

RECOMMENDED PCB LAYOUT (TOP VIEW)

PCB THICKNESS 0.80 ± 0.05 mm

CUST NO.:

GENERAL TOLERANCE	WIESON TECHNOLOGIES CO., LTD		PART NO.: AC3518-01000004-00	
	WIESON			
X.X = ± 0.20	DRAWN BY	Tames	STANDARD NO.	AC3518-01000004-00
X.XX = ± 0.15	CHECKED BY	Hsien	DRAWING SIZE	4 : 1 A4
X.X* = $\pm 3^\circ$	APPROVED BY	Hsien	UNIT	mm
	SORTING NO.	(3298)	PAGE	2 OF 2