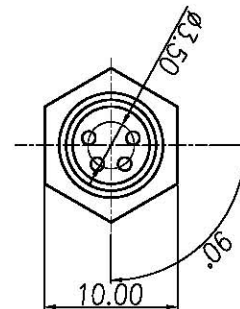
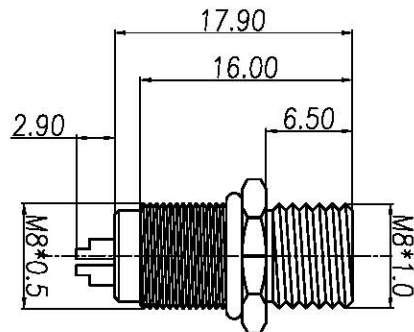
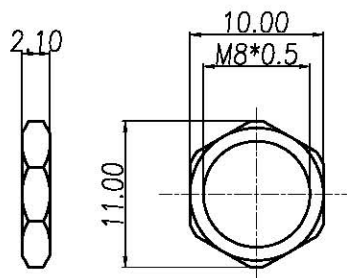


RoHS Compliant

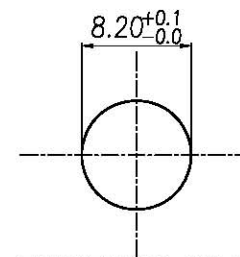
REV	DATE	DESCRIPTION	ECN NO.	NAME



1. MATERIAL :
  1. HOUSING : PBT ; COLOR : BLACK
  2. CONTACT : BRASS.
  3. SHELL : BRASS
  4. O-RING : NBR ; COLOR : BLACK
  5. NUT : BRASS.
2. FINISH :
  1. CONTACT : 10 MICRO INCHES MIN. GOLD PLATING
  2. SHELL : NICKEL PLATED.
  3. NUT : NICKEL PLATED.
3. ELECTRICAL SPECIFICATION :
  1. Rated current : 3A
  2. Rated voltage : 2~3PIN 60V ; 4PIN 30V
  3. Water proof : IP67
4. Environmental :
  1. Operation Temperature : -40°C~105°C



Nut



Recommend Panel Cut-Out

CUST P/N.:

WIESON TECHNOLOGIES CO., LTD  
WIESON

PART NO.:  
G3401 Series

TITLE: M8 Male 4Pin Rear Lock

DRAWN BY		DRAWING NO.	
CHECKED BY		DRAWING SIZE	NONE A4
APPROVED BY		UNIT	mm
SORTING NO.		PAGE	1 OF 1