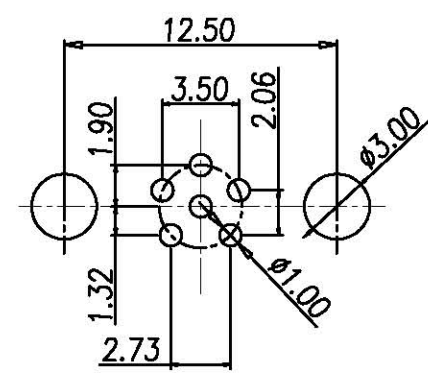
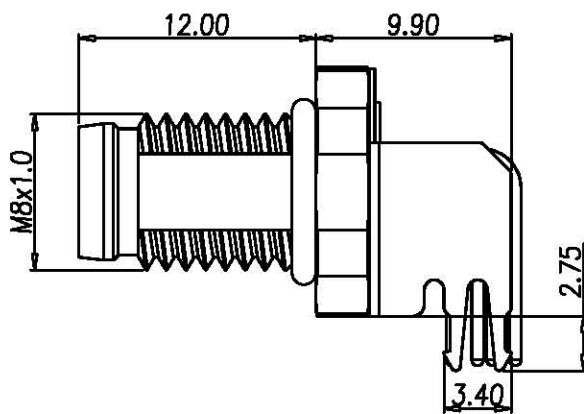
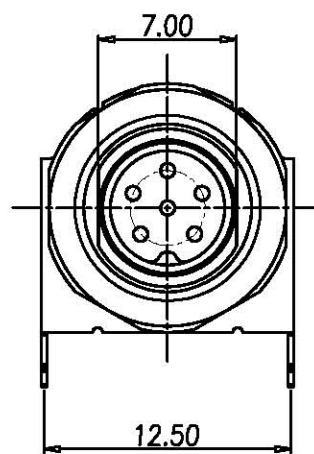


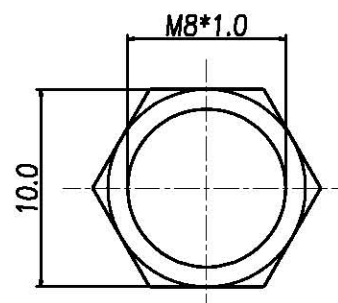
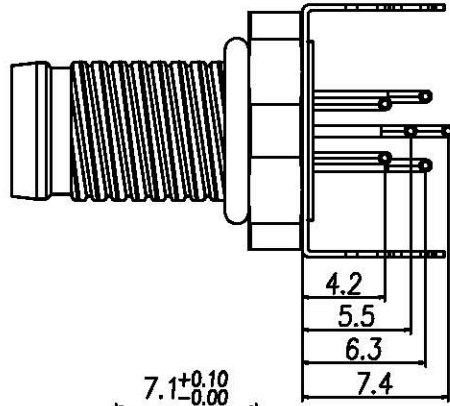
RoHS Compliant

REV	DATE	DESCRIPTION	ECN NO.	NAME

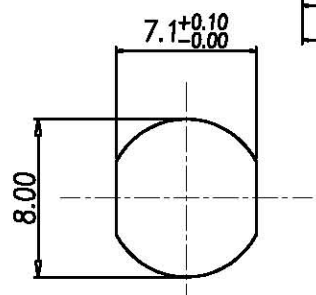
A
B
C
D
E



PCB Layout



Nut



Recommend Panel Cut-Out

- MATERIAL :
 - HOUSING : PA UL94V-0 ; COLOR : BLACK
 - CONTACT : BRASS.
 - NUT : BRASS.
 - SHELL : BRASS.
 - O-RING : NBR
 - GROUND : PHOSPHOR BRONZE
- FINISH :
 - CONTACT : 10 MICRO INCHES MIN. GOLD PLATED
UNDER PLATE : NICKEL
 - NUT : NICKEL PLATED
 - SHELL : NICKEL PLATED
 - GROUND : BIRGHT TIN PLATED
- ELECTRICAL SPECIFICATION :
 - Rated current : 5PIN 3A ; 6PIN 2A
 - Rated Voltage : 30V
 - Water proof: IP67
- Environmental :
 - Operation Temperature : -40C~85C

CUST P/N.:

WIESON TECHNOLOGIES CO., LTD PART NO.:
G3401 Series

TITLE: M8 Male 6Pin Right Angle

DRAWN BY		DRAWING NO.	
CHECKED BY		DRAWING SIZE	NONE A4
APPROVED BY		UNIT	mm
SORTING NO.		PAGE	1 OF 1