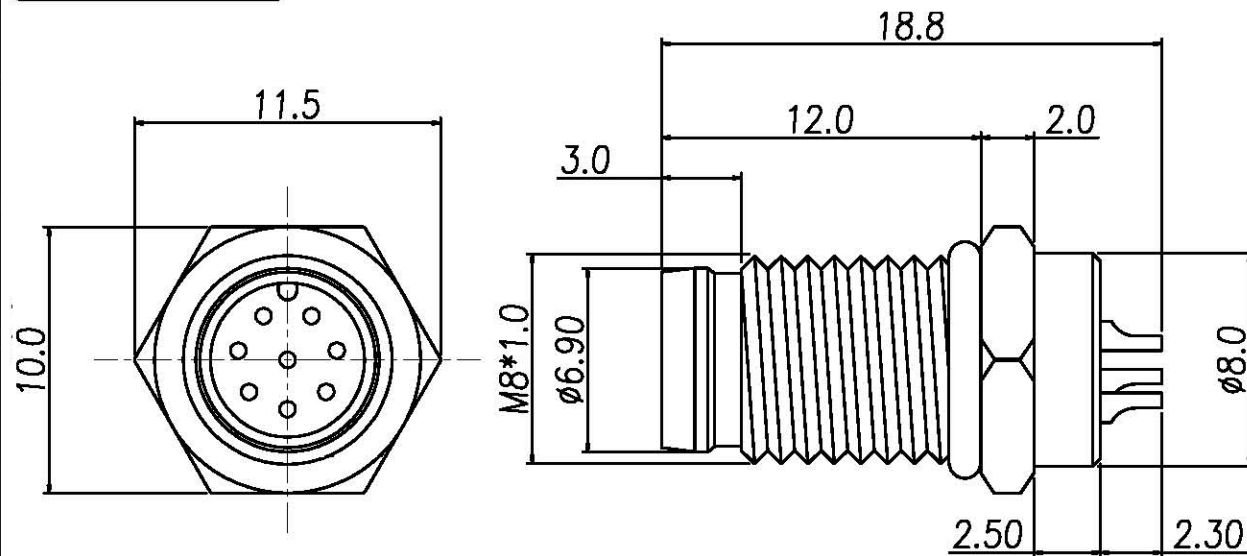


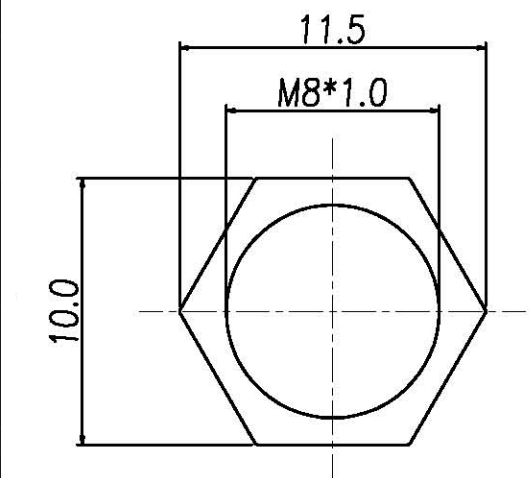
RoHS Compliant

REV	DATE	DESCRIPTION	ECN NO.	NAME

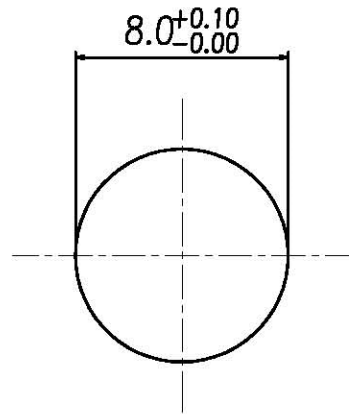
A
B
C
D
E



1. MATERIAL :
 1. HOUSING : PA ; COLOR : BLACK
 2. CONTACT : BRASS.
 3. SHELL : BRASS
 4. O-RING : NBR ; COLOR : BLACK
 5. NUT : BRASS.
2. FINISH :
 1. CONTACT : GOLD 10 MICRO INCHES MIN.
 2. SHELL : NICKEL PLATED.
 3. NUT : NICKEL PLATED.
3. ELECTRICAL SPECIFICATION :
 1. Rated current : 1.5A
 2. Rated voltage : 30V
 3. Water proof : IP67
4. Environmental :
 1. Operation Temperature : -40℃~105℃



Nut



Recommend Panel Cut-Out

CUST P/N.:

WIESON TECHNOLOGIES CO., LTD PART NO.: G3401 Series

TITLE: M8 Male 8Pin Front Lock

DRAWN BY		DRAWING NO.	
CHECKED BY		DRAWING SIZE	NONE A4
APPROVED BY		UNIT	mm
SORTING NO.		PAGE	1 OF 1