

# Gas Discharge Tube: GD52Y-M Series



## SMD 2-Electrode 5.4 x 5.4 x 4mm Type

### ■ Features

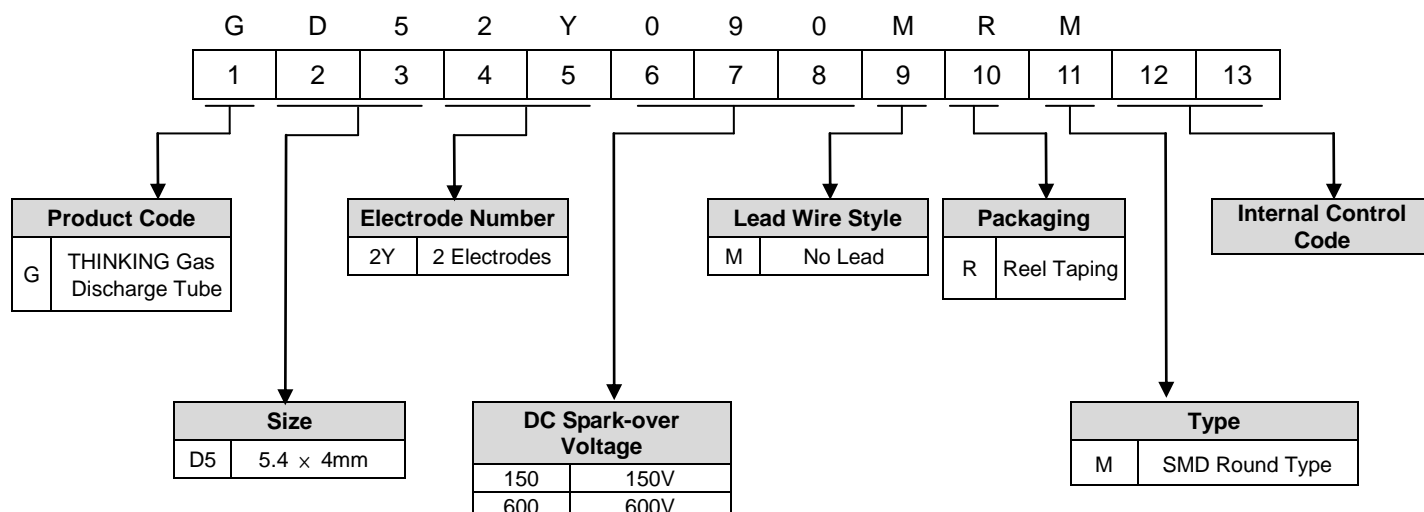
1. RoHS & HF compliant
2. SMD structure
3. DC spark-over voltage: 90~600V
4. Low capacitance
5. Agency recognition: UL
6. Operating temperature: -40°C ~ +125°C  
Storage temperature: -40°C ~ +125°C



### ■ Recommended Applications

1. Cable modem
2. xDSL
3. Set-top box
4. TV sets
5. Ethernet port
6. Consumer electronics

### ■ Part Number Code



# Gas Discharge Tube: GD52Y-M Series



## SMD 2-Electrode 5.4 x 5.4 x 4mm Type

### ■ Characteristics

Part No.	DC Spark-over Voltage	Maximum Impulse Breakdown Voltage	Max. Impulse Discharge Current		Impulse Life (10/1000μs)	Minimum Insulation Resistance	Maximum Capacitance (1MHz)	Safety Approvals
	100V/S	1KV/μs	1 Time	10 Times	10A			
	(V)	(V)	(KA)	(KA)	(Time)			
GD52Y090MRM	90±30%	600	5	2.5	100	1	1	√
GD52Y150MRM	150±20%	600						√
GD52Y230MRM	230±20%	600						√
GD52Y350MRM	350±20%	600						√
GD52Y420MRM	420±20%	650						√
GD52Y470MRM	470±20%	750						√
GD52Y600MRM	600±20%	900						√

Note1: M is for SMD round type

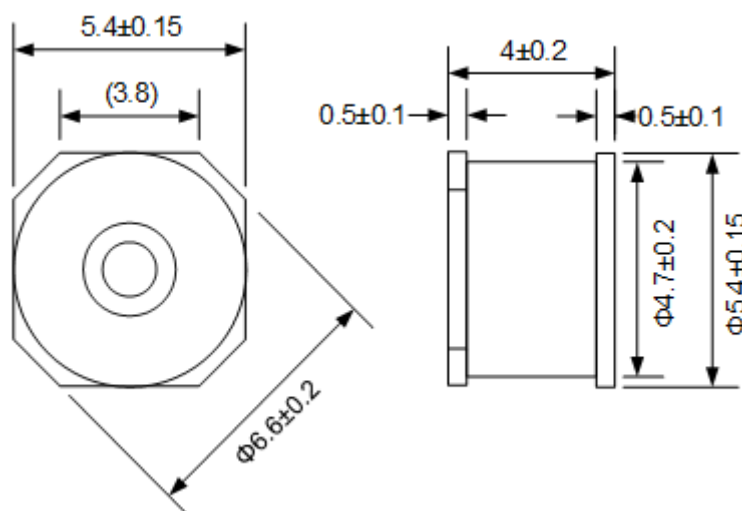
Note2: UL 497B File No: E245070

Note3: Insulation resistance test condition:

DC Spark-over Voltage	DC Measuring Voltage
90V	50V
150-600V	100V

### ■ Dimension

(Unit: mm)



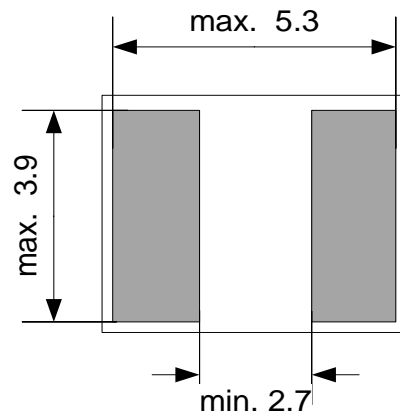
# Gas Discharge Tube: GD52Y-M Series



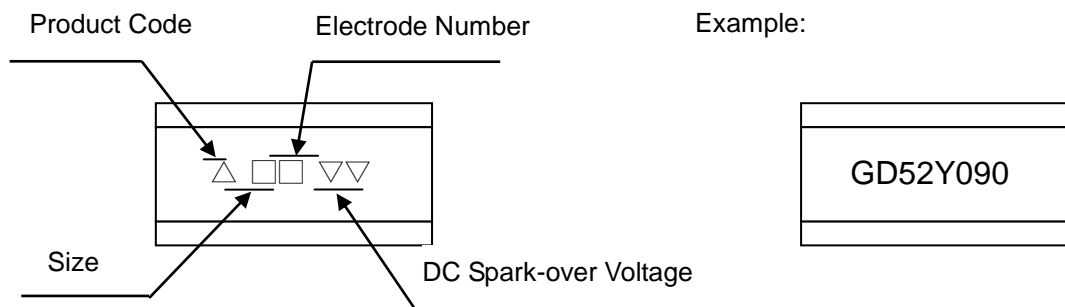
## SMD 2-Electrode 5.4 x 5.4 x 4mm Type

### ■ Recommended Pad Size

(Unit: mm)



### ■ Marking



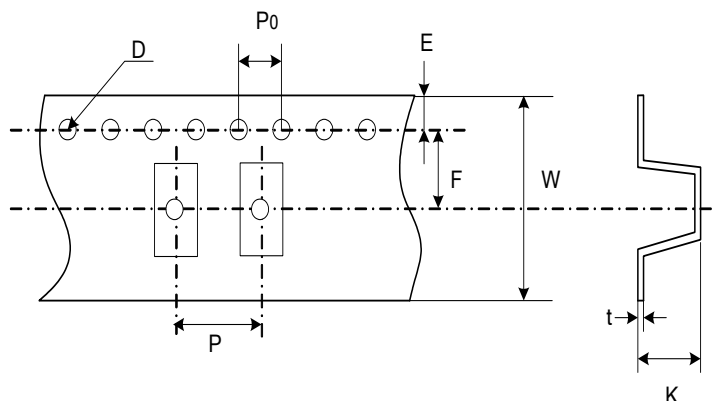
# Gas Discharge Tube: GD52Y-M Series



## SMD 2-Electrode 5.4 x 5.4 x 4mm Type

### ■ Packaging

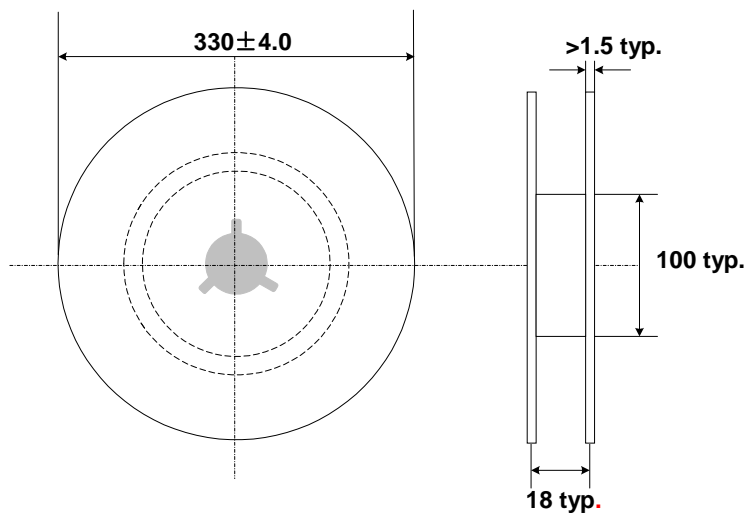
#### ● Taping



Quantity (MPQ): 1,000pcs

(Unit: mm)

Item	P	P0	W	F	E	D	K	t
Spec.	12	4.0	16	7.5	1.75	Φ1.5	5.3	0.4
Tolerance	±0.1	±0.1	±0.3	±0.1	±0.1	±0.1	±0.1	±0.05



### ■ Warehouse Storage Conditions of Products

#### ● Storage Conditions:

1. Storage Temperature: -10°C~+40°C
2. Relative Humidity: ≤75%RH
3. Keep away from corrosive atmosphere and sunlight.

#### ● Period of Storage: 1 year