

# Gas Discharge Tube: GPF3Y-C Series



## SMD 3-Electrode 5 x 5 x 7.6mm Type

### ■ Features

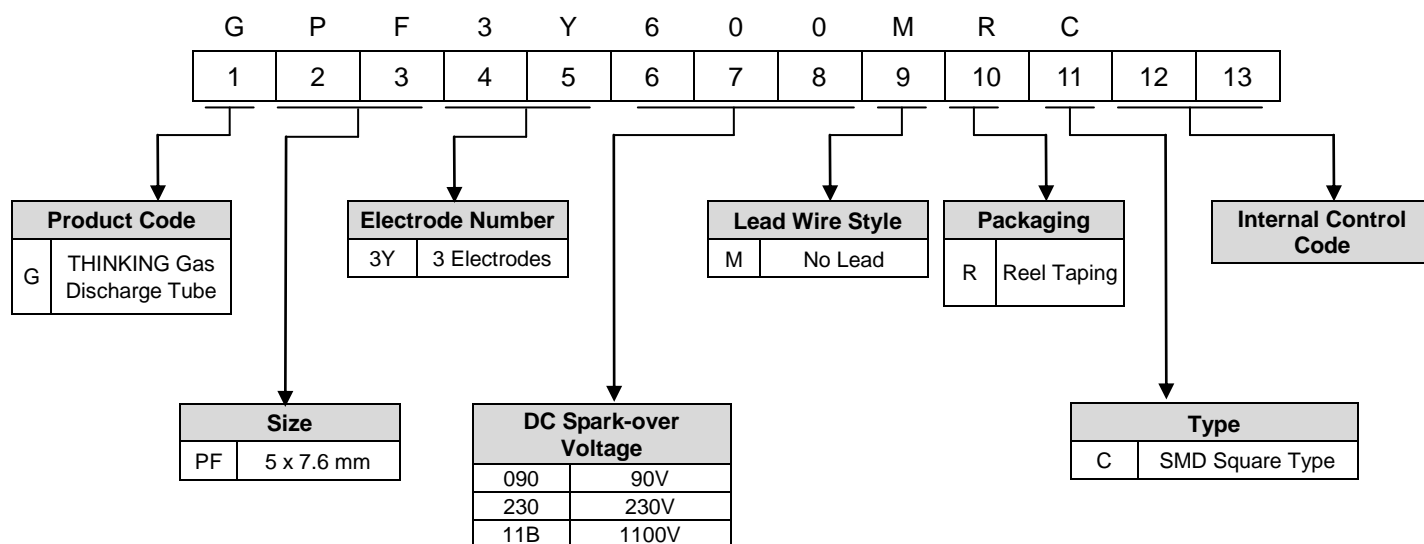
1. RoHS & HF compliant
2. Rugged ceramic-metal construction
3. DC spark-over voltage: 90~600V
4. Low capacitance
5. Agency recognition: UL
6. Operating temperature: -40°C ~ +125°C  
Storage temperature: -40°C ~ +125°C



### ■ Recommended Applications

1. Cable modem
2. xDSL
3. Set-top box
4. TV sets
5. Power supply
6. Consumer electronics

### ■ Part Number Code



# Gas Discharge Tube: GPF3Y-C Series



## SMD 3-Electrode 5 x 5 x 7.6mm Type

### Characteristics

Part No.	DC Spark-over Voltage	Max. Impulse Breakdown Voltage	Max. Impulse Discharge Current (8/20 $\mu$ s)	Normal Alternating Discharge Current	Impulse Life (10/1000 $\mu$ s)	Minimum Insulation Resistance	Maximum Capacitance (1MHz)	Safety Approvals
	100V/S	1KV/ $\mu$ s	10 Times	50Hz, 1Sec	100A			
	(V)	(V)	(KA)	(A)	(Time)			
GPF3Y090MRC	90 $\pm$ 30%	600	10	10	100	1	1	✓
GPF3Y150MRC	150 $\pm$ 20%	650						✓
GPF3Y230MRC	230 $\pm$ 20%	700						✓
GPF3Y350MRC	350 $\pm$ 20%	900						✓
GPF3Y400MRC	400 $\pm$ 20%	900						✓
GPF3Y470MRC	470 $\pm$ 20%	1100						✓
GPF3Y600MRC	600 $\pm$ 20%	1300						✓

Note1: M is for SMD square type

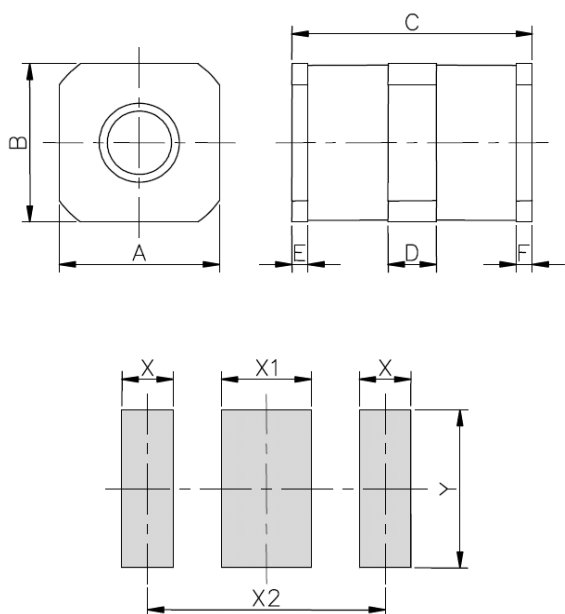
Note2: UL 497B File No: E245070

Note3: Insulation resistance test condition:

DC Spark-over Voltage	DC Measuring Voltage
90V	50V
150-600V	100V

### Dimension

(Unit: mm)



### Recommended Pad Size

(Unit: mm)

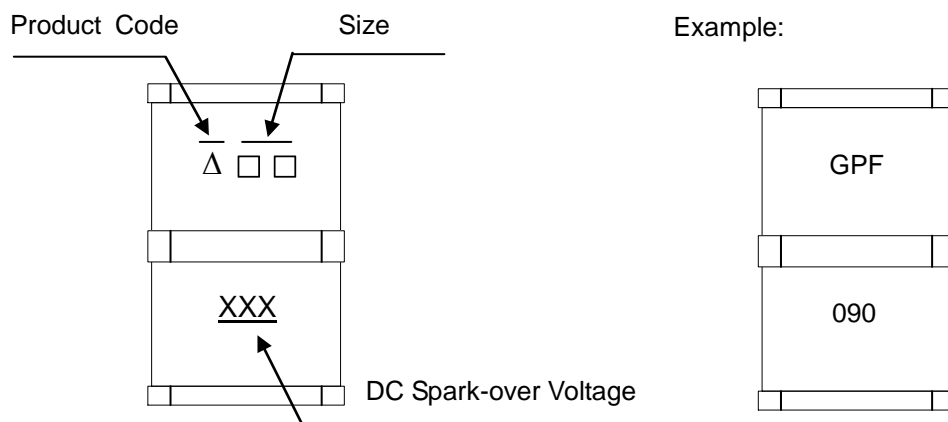
Symbol	Dimension
A	5.0 $\pm$ 0.2
B	5.0 $\pm$ 0.2
C	7.6 $\pm$ 0.3
D	1.5 $\pm$ 0.1
E	0.5 $\pm$ 0.1
F	0.5 $\pm$ 0.1
X	1.6
X1	2.8
X2	7.4
Y	5

# Gas Discharge Tube: GPF3Y-C Series

## SMD 3-Electrode 5 x 5 x 7.6mm Type

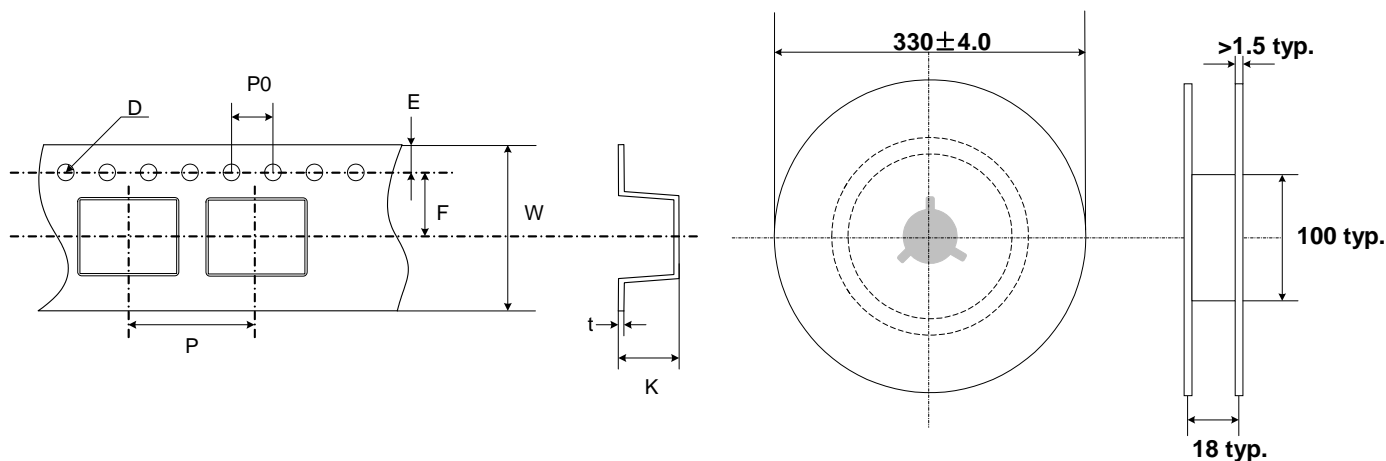


### ■ Marking



### ■ Packaging

#### ● Taping



Quantity (MPQ): 1000pcs

(Unit: mm)

ITEM	P	P0	W	F	E	D	K	t
Spec.	8	4.0	16.0	7.5	1.75	$\Phi 1.5$	5.3	0.4
Tolerance	$\pm 0.1$	$\pm 0.1$	$\pm 0.3$	$\pm 0.1$	$\pm 0.1$	$\pm 0.1$	$\pm 0.1$	$\pm 0.1$

### ■ Warehouse Storage Conditions of Products

#### ● Storage Conditions:

1. Storage Temperature:  $-10^{\circ}\text{C} \sim +40^{\circ}\text{C}$
2. Relative Humidity:  $\leq 75\% \text{RH}$
3. Keep away from corrosive atmosphere and sunlight.

#### ● Period of Storage: 1 year